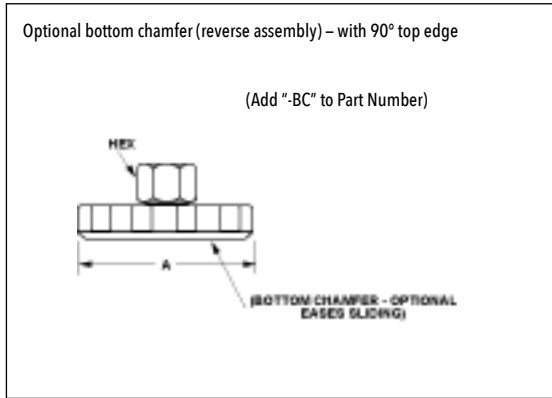
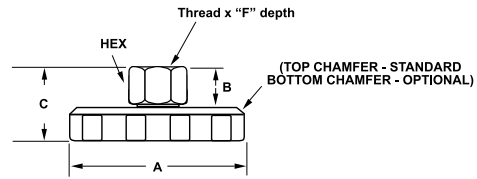




**POLY BASE FIXED SOCKET  
LEVELING GLIDES**

The IEC Poly Base Steel and Stainless Steel Fixed Socket Glide is ideal for medium-duty load requirements. A cost-effective socket glide suitable for applications not requiring a swivel base. Features a black polypropylene base and large adjustment hex nut.



**LOW PROFILE POLY FIXED — SOCKET LEVELERS**

Steel	Stainless	Load	Thread	Hex	A	B	C	F
IL7-4B-T	IL7-4BS-T	100	1/4-20	1/2	1	3/16	5/8	1/4
IL7-5B-T	IL7-5BS-T	500	5/16-18	1/2	1	3/8	3/4	1/4
IL7-6B-T	IL7-6BS-T	1000	3/8-16	1/2	1	1/2	7/8	3/8
IL7-7B-T	IL7-7BS-T	2000	1/2-13	5/8	1	1/2	7/8	3/8
IL7-8B-T	IL7-8BS-T	3000	5/8-11	3/4	1	5/8	1	1/2
IL7-9B-T	IL7-9BS-T	3000	3/4-10	1	1	3/4	1-1/8	5/8
<hr/>								
IL8-4B-T	IL8-4BS-T	100	1/4-20	1/2	1-1/2	3/16	5/8	1/4
IL8-5B-T	IL8-5BS-T	500	5/16-18	1/2	1-1/2	3/8	3/4	1/4
IL8-6B-T	IL8-6BS-T	1000	3/8-16	1/2	1-1/2	1/2	7/8	3/8
IL8-7B-T	IL8-7BS-T	2000	1/2-13	5/8	1-1/2	1/2	7/8	3/8
IL8-8B-T	IL8-8BS-T	3000	5/8-11	3/4	1-1/2	5/8	1	1/2
IL8-9B-T	IL8-9BS-T	3000	3/4-10	1	1-1/2	3/4	1-1/8	5/8
<hr/>								
IL7A-4B-T	IL7A-4BS-T	100	1/4-20	1/2	2	3/16	5/8	1/4
IL7A-5B-T	IL7A-5BS-T	500	5/16-18	1/2	2	3/8	3/4	1/4
IL7A-6B-T	IL7A-6BS-T	1000	3/8-16	1/2	2	1/2	7/8	3/8
IL7A-7B-T	IL7A-7BS-T	2000	1/2-13	5/8	2	1/2	7/8	3/8
IL7A-8B-T	IL7A-8BS-T	3000	5/8-11	3/4	2	5/8	1	1/2
IL7A-9B-T	IL7A-9BS-T	3000	3/4-10	1	2	3/4	1-1/8	5/8
<hr/>								
IL7M-4B-T	IL7M-4BS-T	100	1/4-20	1/2	2-1/2	3/16	5/8	1/4
IL7M-5B-T	IL7M-5BS-T	500	5/16-18	1/2	2-1/2	3/8	3/4	1/4
IL7M-6B-T	IL7M-6BS-T	1000	3/8-16	1/2	2-1/2	1/2	7/8	3/8
IL7M-7B-T	IL7M-7BS-T	2000	1/2-13	5/8	2-1/2	1/2	7/8	3/8
IL7M-8B-T	IL7M-8BS-T	3000	5/8-11	3/4	2-1/2	5/8	1	1/2
IL7M-9B-T	IL7M-9BS-T	3000	3/4-10	1	2-1/2	3/4	1-1/8	5/8
<hr/>								
IL8A-4B-T	IL8A-4BS-T	100	1/4-20	1/2	3	3/16	5/8	1/4
IL8A-5B-T	IL8A-5BS-T	500	5/16-18	1/2	3	3/8	3/4	1/4
IL8A-6B-T	IL8A-6BS-T	1000	3/8-16	1/2	3	1/2	7/8	3/8
IL8A-7B-T	IL8A-7BS-T	2000	1/2-13	5/8	3	1/2	7/8	3/8
IL8A-8B-T	IL8A-8BS-T	3000	5/8-11	3/4	3	5/8	1	1/2
IL8A-9B-T	IL8A-9BS-T	3000	3/4-10	1	3	3/4	1-1/8	5/8