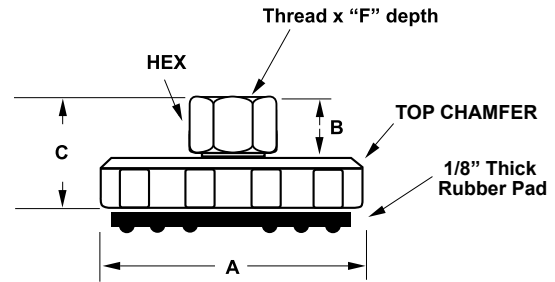




METRIC POLY BASE FIXED SOCKET LEVELING GLIDES WITH RUBBER PAD

The IEC *Metric Poly Base Steel and Stainless Steel Fixed Socket Glide with Rubber Pad* is ideal for medium-duty load requirements. The rubber pad provides a non-skid surface protecting feature. A cost-effective socket glide suitable for applications not requiring a swivel base. Features a black polypropylene base and large adjustment hex nut.



Rubber Pad Bottom View

METRIC POLY FIXED SOCKET LEVELERS WITH RUBBER PAD

Steel	Stainless	Load	Thread	Hex	A	B	C	F
IL7-M6B-T-P	IL7-M6BS-T-P	100	M6x1	1/2	1	3/16	5/8	1/4
IL7-M8B-T-P	IL7-M8BS-T-P	500	M8x1.25	1/2	1	3/8	3/4	1/4
IL7-M10B-T-P	IL7-M10BS-T-P	1000	M10x1.50	1/2	1	1/2	7/8	3/8
IL7-M12B-T-P	IL7-M12BS-T-P	2000	M12x1.75	5/8	1	1/2	7/8	3/8
IL7-M16B-T-P	IL7-M16BS-T-P	3000	M16x2.00	3/4	1	5/8	1	1/2
IL7-M20B-T-P	IL7-M20BS-T-P	3000	M20x3.00	1	1	3/4	1-1/8	5/8
<hr/>								
IL8-M6B-T-P	IL8-M6BS-T-P	100	M6x1	1/2	1-1/2	3/16	5/8	1/4
IL8-M8B-T-P	IL8-M8BS-T-P	500	M8x1.25	1/2	1-1/2	3/8	3/4	1/4
IL8-M10B-T-P	IL8-M10BS-T-P	1000	M10x1.50	1/2	1-1/2	1/2	7/8	3/8
IL8-M12B-T-P	IL8-M12BS-T-P	2000	M12x1.75	5/8	1-1/2	1/2	7/8	3/8
IL8-M16B-T-P	IL8-M16BS-T-P	3000	M16x2.00	3/4	1-1/2	5/8	1	1/2
IL8-M20B-T-P	IL8-M20BS-T-P	3000	M20x3.00	1	1-1/2	3/4	1-1/8	5/8
<hr/>								
IL7A-M6B-T-P	IL7A-M6BS-T-P	100	M6x1	1/2	2	3/16	5/8	1/4
IL7A-M8B-T-P	IL7A-M8BS-T-P	500	M8x1.25	1/2	2	3/8	3/4	1/4
IL7A-M10B-T-P	IL7A-M10BS-T-P	1000	M10x1.50	1/2	2	1/2	7/8	3/8
IL7A-M12B-T-P	IL7A-M12BS-T-P	2000	M12x1.75	5/8	2	1/2	7/8	3/8
IL7A-M16B-T-P	IL7A-M16BS-T-P	3000	M16x2.00	3/4	2	5/8	1	1/2
IL7A-M20B-T-P	IL7A-M20BS-T-P	3000	M20x3.00	1	2	3/4	1-1/8	5/8
<hr/>								
IL7M-M6B-T-P	IL7M-M6BS-T-P	100	M6x1	1/2	2-1/2	3/16	5/8	1/4
IL7M-M8B-T-P	IL7M-M8BS-T-P	500	M8x1.25	1/2	2-1/2	3/8	3/4	1/4
IL7M-M10B-T-P	IL7M-M10BS-T-P	1000	M10x1.50	1/2	2-1/2	1/2	7/8	3/8
IL7M-M12B-T-P	IL7M-M12BS-T-P	2000	M12x1.75	5/8	2-1/2	1/2	7/8	3/8
IL7M-M16B-T-P	IL7M-M16BS-T-P	3000	M16x2.00	3/4	2-1/2	5/8	1	1/2
IL7M-M20B-T-P	IL7M-M20BS-T-P	3000	M20x3.00	1	2-1/2	3/4	1-1/8	5/8
<hr/>								
IL8A-M6B-T-P	IL8A-M6BS-T-P	100	M6x1.0	1/2	3	3/16	5/8	1/4
IL8A-M8B-T-P	IL8A-M8BS-T-P	500	M8x1.25	1/2	3	3/8	3/4	1/4
IL8A-M10B-T-P	IL8A-M10BS-T-P	1000	M10x1.50	1/2	3	1/2	7/8	3/8
IL8A-M12B-T-P	IL8A-M12BS-T-P	2000	M12x1.75	5/8	3	1/2	7/8	3/8
IL8A-M16B-T-P	IL8A-M16BS-T-P	3000	M16x2.00	3/4	3	5/8	1	1/2
IL8A-M20B-T-P	IL8A-M20BS-T-P	3000	M20x3.00	1	3	3/4	1-1/8	5/8



METRIC POLY BASE FIXED STUD LEVELING GLIDES

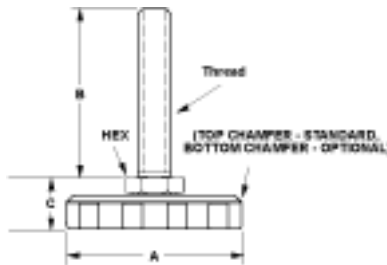
The IEC Metric Poly Base Steel and Stainless Steel Fixed Stud Glide offers metric threads and is ideal for medium-duty load requirements. The stud will tilt several degrees under load to adjust for unlevel surfaces. This glide is cost-effective for applications not requiring a swivel base. Zinc plated steel stud and black polypropylene base. Some sizes available with Top-A-Just™ top broached hex, allen drive, (-BR) and top-end external hex (-HX).



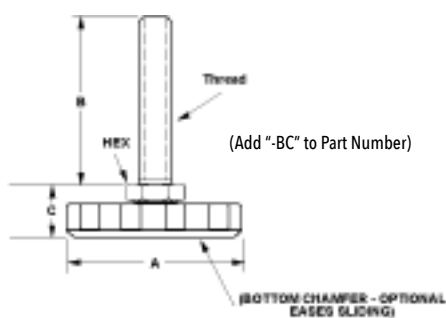
Top-A-Just™ (-BR)



Top-A-Just™ (-HX)



Optional bottom chamfer (reverse assembly) – with 90° top edge



Steel	SS	Load	Thread	Hex	A	B(mm)	C
Metric Poly Base Steel and Stainless Steel Fixed Stud Glides							
IL7-M6Bx25	IL7-M6BSx25	100	M6	1/2	1	25	11/16
IL7-M6Bx38	IL7-M6BSx38	100	M6	1/2	1	38	11/16
IL7-M6Bx51	IL7-M6BSx51	100	M6	1/2	1	51	11/16
IL7-M8Bx38	IL7-M8BSx38	500	M8	1/2	1	38	11/16
IL7-M8Bx51	IL7-M8BSx51	500	M8	1/2	1	51	11/16
IL7-M8Bx62	IL7-M8BSx62	500	M8	1/2	1	62	11/16
IL7-M10Bx38	IL7-M10BSx38	1000	M10	1/2	1	38	11/16
IL7-M10Bx51	IL7-M10BSx51	1000	M10	1/2	1	51	11/16
IL7-M10Bx62	IL7-M10BSx62	1000	M10	1/2	1	62	11/16
IL7-M12Bx38	IL7-M12BSx38	2000	M12	1/2	1	38	11/16
IL7-M12Bx51	IL7-M12BSx51	2000	M12	1/2	1	51	11/16
IL7-M12Bx75	IL7-M12BSx75	2000	M12	1/2	1	75	11/16
IL7-M12Bx102	IL7-M12BSx102	2000	M12	1/2	1	102	11/16
IL7-M16Bx51	IL7-M16BSx51	2500	M16	5/8	1	51	11/16
IL7-M16Bx90-BR	IL7-M16BSx90-BR	2500	M16	5/8	1	90	11/16
IL7-M16Bx102	IL7-M16BSx102	2500	M16	5/8	1	102	11/16
IL7-M16Bx115-BR	IL7-M16BSx115-BR	2500	M16	5/8	1	115	11/16
IL8-M6Bx25	IL8-M6BSx25	100	M6	1/2	1-1/2	25	11/16
IL8-M6Bx38	IL8-M6BSx38	100	M6	1/2	1-1/2	38	11/16
IL8-M6Bx51	IL8-M6BSx51	100	M6	1/2	1-1/2	51	11/16
IL8-M8Bx38	IL8-M8BSx38	500	M8	1/2	1-1/2	38	11/16
IL8-M8Bx51	IL8-M8BSx51	500	M8	1/2	1-1/2	51	11/16
IL8-M8Bx62	IL8-M8BSx62	500	M8	1/2	1-1/2	62	11/16
IL8-M10Bx38	IL8-M10BSx38S	1000	M10	1/2	1-1/2	38	11/16
IL8-M10Bx51	IL8-M10BSx51S	1000	M10	1/2	1-1/2	51	11/16
IL8-M10Bx62	IL8-M10BSx62S	1000	M10	1/2	1-1/2	62	11/16
IL8-M12Bx38	IL8-M12BSx38	2000	M12	1/2	1-1/2	38	11/16
IL8-M12Bx51	IL8-M12BSx51	2000	M12	1/2	1-1/2	51	11/16
IL8-M12Bx75	IL8-M12BSx75	2000	M12	1/2	1-1/2	75	11/16
IL8-M12Bx102	IL8-M12BSx102	2000	M12	1/2	1-1/2	102	11/16
IL8-M16Bx51	IL8-M16BSx51	2500	M16	5/8	1-1/2	51	11/16
IL8-M16Bx90-BR	IL8-M16BSx90-BR	2500	M16	5/8	1-1/2	90	11/16
IL8-M16Bx102	IL8-M16BSx102	2500	M16	5/8	1-1/2	102	11/16
IL8-M16Bx115-BR	IL8-M16BSx115-BR	2500	M16	5/8	1-1/2	115	11/16
IL7A-M6Bx25	IL7A-M6BSx25	100	M6	1/2	2	25	11/16
IL7A-M6Bx38	IL7A-M6BSx38	100	M6	1/2	2	38	11/16
IL7A-M6Bx51	IL7A-M6BSx51	100	M6	1/2	2	51	11/16
IL7A-M8Bx38	IL7A-M8BSx38	500	M8	1/2	2	38	11/16
IL7A-M8Bx51	IL7A-M8BSx51	500	M8	1/2	2	51	11/16
IL7A-M8Bx62	IL7A-M8BSx62	500	M8	1/2	2	62	11/16
IL7A-M10Bx38	IL7A-M10BSx38	1000	M10	1/2	2	38	11/16
IL7A-M10Bx51	IL7A-M10BSx51	1000	M10	1/2	2	51	11/16
IL7A-M10Bx62	IL7A-M10BSx62	1000	M10	1/2	2	62	11/16
IL7A-M12Bx38	IL7A-M12BSx38	2000	M12	1/2	2	38	11/16
IL7A-M12Bx51	IL7A-M12BSx51	2000	M12	1/2	2	51	11/16
IL7A-M12Bx75	IL7A-M12BSx75	2000	M12	1/2	2	75	11/16
IL7A-M12Bx102	IL7A-M12BSx102	2000	M12	1/2	2	102	11/16
IL7A-M16Bx51	IL7A-M16BSx51	2500	M16	5/8	2	51	11/16
IL7A-M16Bx90-BR	IL7A-M16BSx90-BR	2500	M16	5/8	2	90	11/16
IL7A-M16Bx102	IL7A-M16BSx102	2500	M16	5/8	2	102	11/16
IL7A-M16Bx115-BR	IL7A-M16BSx115-BR	2500	M16	5/8	2	115	11/16



MEDIUM-DUTY LEVELERS
POLY FIXED - METRIC
KNOB STYLE GLIDES

METRIC POLY BASE FIXED STUD LEVELING GLIDES

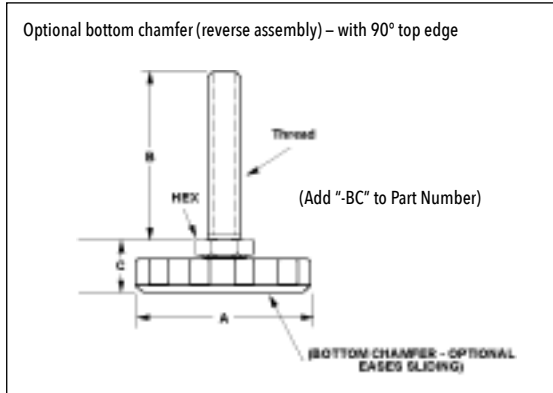
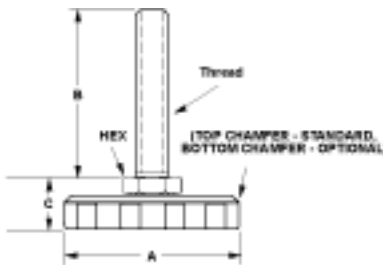
The IEC Metric Poly Base Steel and Stainless Steel Fixed Stud Glide offers metric threads and is ideal for medium-duty load requirements. The stud will tilt several degrees under load to adjust for unlevel surfaces. This glide is cost-effective for applications not requiring a swivel base. Zinc plated steel stud and black polypropylene base. Some sizes available with Top-A-Just™ top broached hex, allen drive, (-BR) and top-end external hex (-HX).



Top-A-Just™(-BR)



Top-A-Just™(-HX)



Steel	SS	Load	Thread	Hex	A	B(mm)	C
Metric Poly Base Steel and Stainless Steel Fixed Stud Glides							
IL7M-M6Bx25	IL7M-M6BSx25	100	M6	1/2	2-1/2	25	11/16
IL7M-M6Bx38	IL7M-M6BSx38	100	M6	1/2	2-1/2	38	11/16
IL7M-M6Bx51	IL7M-M6BSx51	100	M6	1/2	2-1/2	51	11/16
IL7M-M8Bx38	IL7M-M8BSx38	500	M8	1/2	2-1/2	38	11/16
IL7M-M8Bx51	IL7M-M8BSx51	500	M8	1/2	2-1/2	51	11/16
IL7M-M8Bx62	IL7M-M8BSx62	500	M8	1/2	2-1/2	62	11/16
IL7M-M10Bx38	IL7M-M10BSx38	1000	M10	1/2	2-1/2	38	11/16
IL7M-M10Bx51	IL7M-M10BSx51	1000	M10	1/2	2-1/2	51	11/16
IL7M-M10Bx62	IL7M-M10BSx62	1000	M10	1/2	2-1/2	62	11/16
IL7M-M12Bx38	IL7M-M12BSx38	2000	M12	1/2	2-1/2	38	11/16
IL7M-M12Bx51	IL7M-M12BSx51	2000	M12	1/2	2-1/2	51	11/16
IL7M-M12Bx75	IL7M-M12BSx75	2000	M12	1/2	2-1/2	75	11/16
IL7M-M12Bx102	IL7M-M12BSx102	2000	M12	1/2	2-1/2	102	11/16
IL7M-M16Bx51	IL7M-M16BSx51	2500	M16	5/8	2-1/2	51	11/16
IL7M-M16Bx90-BR	IL7M-M16BSx90-BR	2500	M16	5/8	2-1/2	90	11/16
IL7M-M16Bx102	IL7M-M16BSx102	2500	M16	5/8	2-1/2	102	11/16
IL7M-M16Bx115-BR	IL7M-M16BSx115-BR	2500	M16	5/8	2-1/2	115	11/16
IL8A-M6Bx25	IL8A-M6BSx25	100	M6	1/2	3	25	11/16
IL8A-M6Bx38	IL8A-M6BSx38	100	M6	1/2	3	38	11/16
IL8A-M6Bx51	IL8A-M6BSx51	100	M6	1/2	3	51	11/16
IL8A-M8Bx38	IL8A-M8BSx38	500	M8	1/2	3	38	11/16
IL8A-M8Bx51	IL8A-M8BSx51	500	M8	1/2	3	51	11/16
IL8A-M8Bx62	IL8A-M8BSx62	500	M8	1/2	3	62	11/16
IL8A-M10Bx38	IL8A-M10BSx38	1000	M10	1/2	3	38	11/16
IL8A-M10Bx51	IL8A-M10BSx51	1000	M10	1/2	3	51	11/16
IL8A-M10Bx62	IL8A-M10BSx62	1000	M10	1/2	3	62	11/16
IL8A-M12Bx38	IL8A-M12BSx38	2000	M12	1/2	3	38	11/16
IL8A-M12Bx51	IL8A-M12BSx51	2000	M12	1/2	3	51	11/16
IL8A-M12Bx75	IL8A-M12BSx75	2000	M12	1/2	3	75	11/16
IL8A-M12Bx102	IL8A-M12BSx102	2000	M12	1/2	3	102	11/16
IL8A-M16Bx51	IL8A-M16BSx51	2500	M16	5/8	3	51	11/16
IL8A-M16Bx90-BR	IL8A-M16BSx90-BR	2500	M16	5/8	3	90	11/16
IL8A-M16Bx102	IL8A-M16BSx102	2500	M16	5/8	3	102	11/16
IL8A-M16Bx115-BR	IL8A-M16BSx115-BR	2500	M16	5/8	3	115	11/16

KNOB STYLE SOCKET TYPE GLIDES (LEVELERS/KNOB)

These low-profile polypropylene levelers/knobs are designed for use with socket head allen bolts or threaded rod of various lengths. They are available with three different female thread types: brass insert (-BI), steel hex nut (-HN), or threads molded directly into the polypropylene (-MT). The height of all base sizes is 3/8" thick. The PVC base is a flexible, non-skid and non-marring, rubber-like material.



PN (brass)	PN (hex nut)	PN(molded)	Thread	Base Dia.	Load (lbs.)
IL83-4B-BI	IL83-4B-HN	IL83-4B-MT	1/4-20	1-1/2	100
IL83-5B-BI	IL83-5B-HN	IL83-5B-MT	5/16-18	1-1/2	250
IL83-6B-BI	IL83-6B-HN	IL83-6B-MT	3/8-16	1-1/2	250
IL85-4B-BI	IL85-4B-HN	IL85-4B-MT	1/4-20	2	100
IL85-5B-BI	IL85-5B-HN	IL85-5B-MT	5/16-18	2	250
IL85-6B-BI	IL85-6B-HN	IL85-6B-MT	3/8-16	2	250
IL87-4B-BI	IL87-4B-HN	IL87-4B-MT	1/4-20	2-1/2	100
IL87-5B-BI	IL87-5B-HN	IL87-5B-MT	5/16-18	2-1/2	250
IL87-6B-BI	IL87-6B-HN	IL87-6B-MT	3/8-16	2-1/2	250
IL89-4B-BI	IL89-4B-HN	IL89-4B-MT	1/4-20	3	100
IL89-5B-BI	IL89-5B-HN	IL89-5B-MT	5/16-18	3	250
IL89-6B-BI	IL89-6B-HN	IL89-6B-MT	3/8-16	3	250
PN (PVC)	Thread	Base Dia.	Load (lbs.)		
IL83-4B-HN-PVC	1/4-20	1-1/2	75		
IL83-5B-HN-PVC	5/16-18	1-1/2	75		
IL83-6B-HN-PVC	3/8-16	1-1/2	75		