



POLY BASE FIXED STUD GLIDES

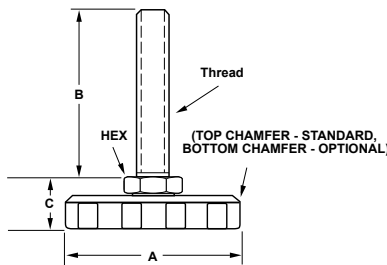
The IEC Poly Base Steel and Stainless Steel Fixed Stud Glide is ideal for medium-duty load requirements. The stud will tilt several degrees under load to compensate for unlevel surfaces. Cost-effective for applications not requiring a swivel base. Zinc plated steel stud and black polypropylene base, 3/8" thick. Four base sizes to choose from (1" to 3"). Many sizes available with Top-A-Just™ top-end external hex (-HX). You may also request top broached hex, allen drive (-BR)



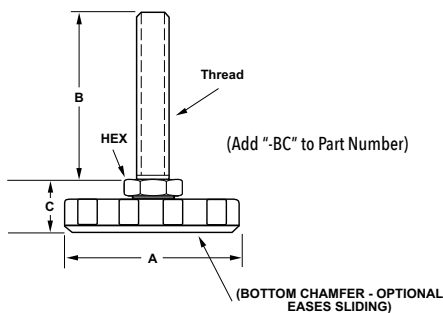
Top-A-Just™ (-BR)



Top-A-Just™ (-HX)



Optional bottom chamfer (reverse assembly) – with 90° top edge



Steel	SS	Load	Thread	Hex	A	B	C
Poly Base Steel and Stainless Steel Fixed Stud Glides							
IL7-4Bx1/2	IL7-4BSx1/2	100	1/4-20	1/2	1	1/2	11/16
IL7-4Bx1	IL7-4BSx1	100	1/4-20	1/2	1	1	11/16
IL7-4B	IL7-4BS	100	1/4-20	1/2	1	1-9/16	11/16
IL7-4Bx2-HX	IL7-4BSx2-HX	100	1/4-20	1/2	1	2	11/16
IL7-4Bx2.5	IL7-4BSx2.5	100	1/4-20	1/2	1	2-1/2	11/16
IL7-5Bx3/4	IL7-5BSx3/4	500	5/16-18	1/2	1	3/4	11/16
IL7-5Bx15-HX	IL7-5BSx15-HX	500	5/16-18	1/2	1	1-1/2	11/16
IL7-5B	IL7-5BS	500	5/16-18	1/2	1	1-9/16	11/16
IL7-5Bx25-HX	IL7-5BSx25-HX	500	5/16-18	1/2	1	2-1/2	11/16
IL7-5Bx3	IL7-5BSx3	500	5/16-18	1/2	1	3	11/16
IL7-5Bx4	IL7-5BSx4	500	5/16-18	1/2	1	4	11/16
IL7-6Bx3/4	IL7-6BSx3/4	1000	3/8-16	1/2	1	3/4	11/16
IL7-6Bx15-HX	IL7-6BSx15-HX	1000	3/8-16	1/2	1	1-1/2	11/16
IL7-6B	IL7-6BS	1000	3/8-16	1/2	1	1-9/16	11/16
IL7-6Bx1	IL7-6BSx1	1000	3/8-16	1/2	1	1	11/16
IL7-6Bx2	IL7-6BSx2	1000	3/8-16	1/2	1	2	11/16
IL7-6Bx2-HX	IL7-6BSx2-HX	1000	3/8-16	1/2	1	2	11/16
IL7-6Bx3	IL7-6BSx3	1000	3/8-16	1/2	1	3	11/16
IL7-6Bx3-HX	IL7-6BSx3-HX	1000	3/8-16	1/2	1	3	11/16
IL7-6Bx4	IL7-6BSx4	1000	3/8-16	1/2	1	4	11/16
IL7-6Bx45-HX	IL7-6BSx45-HX	1000	3/8-16	1/2	1	4-1/2	11/16
IL7-6Bx6-HX	IL7-6BSx6-HX	1000	3/8-16	1/2	1	6	11/16
IL7-6FBx1	IL7-6FBSx1	1000	3/8-24	1/2	1	1	11/16
IL7-6FBx2	IL7-6FBSx2	1000	3/8-24	1/2	1	2	11/16
IL7-7B	IL7-7BS	2000	1/2-13	1/2	1	1-9/16	11/16
IL7-7Bx2	IL7-7BSx2	2000	1/2-13	1/2	1	2	11/16
IL7-7Bx2-HX	IL7-7BSx2-HX	2000	1/2-13	1/2	1	2	11/16
IL7-7Bx2.5-HX	IL7-7BSx2.5-HX	2000	1/2-13	1/2	1	2-1/2	11/16
IL7-7Bx3	IL7-7BSx3	2000	1/2-13	1/2	1	3	11/16
IL7-7Bx3-HX	IL7-7BSx3-HX	2000	1/2-13	1/2	1	3	11/16
IL7-7Bx3.5-HX	IL7-7BSx3.5-HX	2000	1/2-13	1/2	1	3-1/2	11/16
IL7-7Bx4	IL7-7BSx4	2000	1/2-13	1/2	1	4	11/16
IL7-7Bx4-HX	IL7-7BSx4-HX	2000	1/2-13	1/2	1	4	11/16
IL7-7Bx5	IL7-7BSx5	2000	1/2-13	1/2	1	5	11/16
IL7-7Bx5-HX	IL7-7BSx5-HX	2000	1/2-13	1/2	1	5	11/16
IL7-7Bx6-HX	IL7-7BSx6-HX	1500	1/2-13	1/2	1	6	11/16
IL7-7Bx8-HX	IL7-7BSx8-HX	1000	1/2-13	1/2	1	8	11/16
IL7-7FBx1	IL7-7FBSx1	2000	1/2-20	1/2	1	1	11/16
IL7-7FBx2	IL7-7FBSx2	2000	1/2-20	1/2	1	2	11/16
IL7-7FBx4	IL7-7FBSx4	2000	1/2-20	1/2	1	4	11/16
IL7-8B	IL7-8BS	2500	5/8-11	5/8	1	1-9/16	11/16
IL7-8Bx3	IL7-8BSx3	2500	5/8-11	5/8	1	3	11/16
IL7-8Bx4	IL7-8BSx4	2500	5/8-11	5/8	1	4	11/16
IL7-8Bx5	IL7-8BSx5	2500	5/8-11	5/8	1	5	11/16
IL7-9B	IL7-9BS	3000	3/4-10	3/4	1	1-9/16	11/16
IL7-9Bx3	IL7-9BSx3	3000	3/4-10	3/4	1	3	11/16
IL7-9Bx4	IL7-9BSx4	3000	3/4-10	3/4	1	4	11/16
IL8-4Bx1/2	IL8-4BSx1/2	100	1/4-20	1/2	1-1/2	1/2	11/16
IL8-4Bx1	IL8-4BSx1	100	1/4-20	1/2	1-1/2	1	11/16
IL8-4B	IL8-4BS	100	1/4-20	1/2	1-1/2	1-9/16	11/16
IL8-4Bx2-HX	IL8-4BSx2-HX	100	1/4-20	1/2	1-1/2	2	11/16
IL8-4Bx2.5	IL8-4BSx2.5	100	1/4-20	1/2	1-1/2	2-1/2	11/16
IL8-5Bx3/4	IL8-5BSx3/4	500	5/16-18	1/2	1-1/2	3/4	11/16
IL8-5Bx15-HX	IL8-5BSx15-HX	500	5/16-18	1/2	1-1/2	1-1/2	11/16
IL8-5B	IL8-5BS	500	5/16-18	1/2	1-1/2	1-9/16	11/16
IL8-5Bx25-HX	IL8-5BSx25-HX	500	5/16-18	1/2	1-1/2	2-1/2	11/16
IL8-5Bx3	IL8-5BSx3	500	5/16-18	1/2	1-1/2	3	11/16
IL8-5Bx4	IL8-5BSx4	500	5/16-18	1/2	1-1/2	4	11/16
IL8-6Bx3/4	IL8-6BSx3/4	1000	3/8-16	1/2	1-1/2	3/4	11/16
IL8-6Bx15-HX	IL8-6BSx15-HX	1000	3/8-16	1/2	1-1/2	1-1/2	11/16
IL8-6B	IL8-6BS	1000	3/8-16	1/2	1-1/2	1-9/16	11/16
IL8-6Bx1	IL8-6BSx1	1000	3/8-16	1/2	1-1/2	1	11/16
IL8-6Bx2	IL8-6BSx2	1000	3/8-16	1/2	1-1/2	2	11/16
IL8-6Bx2-HX	IL8-6BSx2-HX	1000	3/8-16	1/2	1-1/2	2	11/16
IL8-6Bx3	IL8-6BSx3	1000	3/8-16	1/2	1-1/2	3	11/16
IL8-6Bx3-HX	IL8-6BSx3-HX	1000	3/8-16	1/2	1-1/2	3	11/16
IL8-6Bx4	IL8-6BSx4	1000	3/8-16	1/2	1-1/2	4	11/16
IL8-6Bx45-HX	IL8-6BSx45-HX	1000	3/8-16	1/2	1-1/2	4-1/2	11/16
IL8-6Bx6-HX	IL8-6BSx6-HX	1000	3/8-16	1/2	1-1/2	6	11/16
IL8-6FBx1	IL8-6FBSx1	1000	3/8-24	1/2	1-1/2	1	11/16
IL8-6FBx2	IL8-6FBSx2	1000	3/8-24	1/2	1-1/2	2	11/16
IL8-7B	IL8-7BS	2000	1/2-13	1/2	1-1/2	1-9/16	11/16
IL8-7Bx2	IL8-7BSx2	2000	1/2-13	1/2	1-1/2	2	11/16
IL8-7Bx2-HX	IL8-7BSx2-HX	2000	1/2-13	1/2	1-1/2	2	11/16
IL8-7Bx2.5-HX	IL8-7BSx2.5-HX	2000	1/2-13	1/2	1-1/2	2-1/2	11/16
IL8-7Bx3	IL8-7BSx3	2000	1/2-13	1/2	1-1/2	3	11/16
IL8-7Bx3-HX	IL8-7BSx3-HX	2000	1/2-13	1/2	1-1/2	3	11/16
IL8-7Bx3.5-HX	IL8-7BSx3.5-HX	2000	1/2-13	1/2	1-1/2	3-1/2	11/16
IL8-7Bx4	IL8-7BSx4	2000	1/2-13	1/2	1-1/2	4	11/16
IL8-7Bx4-HX	IL8-7BSx4-HX	2000	1/2-13	1/2	1-1/2	4	11/16
IL8-7Bx5	IL8-7BSx5	2000	1/2-13	1/2	1-1/2	5	11/16
IL8-7Bx5-HX	IL8-7BSx5-HX	2000	1/2-13	1/2	1-1/2	5	11/16
IL8-7Bx6-HX	IL8-7BSx6-HX	1500	1/2-13	1/2	1-1/2	6	11/16
IL8-7Bx8-HX	IL8-7BSx8-HX	1000	1/2-13	1/2	1-1/2	8	11/16



POLY BASE FIXED STUD GLIDES WITH RUBBER PAD

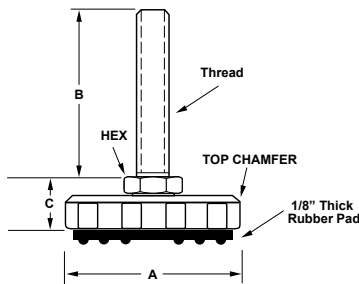
The IEC Poly Base Steel and Stainless Steel Fixed Stud Glide with Rubber Pad is ideal for medium-duty load requirements. The rubber pad provides a non-skid, surface protecting feature, while the stud tilts several degrees under load to compensate for unlevel surfaces. Cost-effective for applications not requiring a swivel base. Zinc plated steel stud and black polypropylene base, 3/8" thick. Four base sizes to choose from (1" to 3"). Many sizes available with Top-A-Just™ top-end external hex (-HX). You may also request top broached hex, allen drive (-BR).



Top-A-Just™ (-BR)



Top-A-Just™ (-HX)



Rubber Pad Bottom View

Steel	SS	Load	Thread	Hex	A	B	C
Poly Base Steel and Stainless Steel Fixed Stud Glides							
IL7-4Bx1/2-P	IL7-4BSx1/2-P	100	1/4-20	1/2	1	1/2	11/16
IL7-4Bx1-P	IL7-4BSx1-P	100	1/4-20	1/2	1	1	11/16
IL7-4B-P	IL7-4BS-P	100	1/4-20	1/2	1	1-9/16	11/16
IL7-4Bx2-HX-P	IL7-4BSx2-HX-P	100	1/4-20	1/2	1	2	11/16
IL7-4Bx25-P	IL7-4BSx25-P	100	1/4-20	1/2	1	2-1/2	11/16
IL7-5Bx3/4-P	IL7-5BSx3/4-P	500	5/16-18	1/2	1	3/4	11/16
IL7-5Bx15-HX-P	IL7-5BSx15-HX-P	500	5/16-18	1/2	1	1-1/2	11/16
IL7-5B-P	IL7-5BS-P	500	5/16-18	1/2	1	1-9/16	11/16
IL7-5Bx25-HX-P	IL7-5BSx25-HX-P	500	5/16-18	1/2	1	2-1/2	11/16
IL7-5Bx3-P	IL7-5BSx3-P	500	5/16-18	1/2	1	3	11/16
IL7-5Bx4-P	IL7-5BSx4-P	500	5/16-18	1/2	1	4	11/16
IL7-6Bx3/4-P	IL7-6BSx3/4-P	1000	3/8-16	1/2	1	3/4	11/16
IL7-6Bx15-HX-P	IL7-6BSx15-HX-P	1000	3/8-16	1/2	1	1-1/2	11/16
IL7-6B-P	IL7-6BS-P	1000	3/8-16	1/2	1	1-9/16	11/16
IL7-6Bx1-P	IL7-6BSx1-P	1000	3/8-16	1/2	1	1	11/16
IL7-6Bx2-P	IL7-6BSx2-P	1000	3/8-16	1/2	1	2	11/16
IL7-6Bx2-HX-P	IL7-6BSx2-HX-P	1000	3/8-16	1/2	1	2	11/16
IL7-6Bx3-P	IL7-6BSx3-P	1000	3/8-16	1/2	1	3	11/16
IL7-6Bx3-HX-P	IL7-6BSx3-HX-P	1000	3/8-16	1/2	1	3	11/16
IL7-6Bx4-P	IL7-6BSx4-P	1000	3/8-16	1/2	1	4	11/16
IL7-6Bx45-HX-P	IL7-6BSx45-HX-P	1000	3/8-16	1/2	1	4-1/2	11/16
IL7-6Bx6-HX-P	IL7-6BSx6-HX-P	1000	3/8-16	1/2	1	6	11/16
IL7-6FBx1-P	IL7-6FBSx1-P	1000	3/8-24	1/2	1	1	11/16
IL7-6FBx2-P	IL7-6FBSx2-P	1000	3/8-24	1/2	1	2	11/16
IL7-7B-P	IL7-7BS-P	2000	1/2-13	1/2	1	1-9/16	11/16
IL7-7Bx2-P	IL7-7BSx2-P	2000	1/2-13	1/2	1	2	11/16
IL7-7Bx2-HX-P	IL7-7BSx2-HX-P	2000	1/2-13	1/2	1	2	11/16
IL7-7Bx25-HX-P	IL7-7BSx25-HX-P	2000	1/2-13	1/2	1	2-1/2	11/16
IL7-7Bx3-P	IL7-7BSx3-P	2000	1/2-13	1/2	1	3	11/16
IL7-7Bx3-HX-P	IL7-7BSx3-HX-P	2000	1/2-13	1/2	1	3	11/16
IL7-7Bx35-HX-P	IL7-7BSx35-HX-P	2000	1/2-13	1/2	1	3-1/2	11/16
IL7-7Bx4-P	IL7-7BSx4-P	2000	1/2-13	1/2	1	4	11/16
IL7-7Bx4-HX-P	IL7-7BSx4-HX-P	2000	1/2-13	1/2	1	4	11/16
IL7-7Bx5-P	IL7-7BSx5-P	2000	1/2-13	1/2	1	5	11/16
IL7-7Bx5-HX-P	IL7-7BSx5-HX-P	2000	1/2-13	1/2	1	5	11/16
IL7-7Bx6-HX-P	IL7-7BSx6-HX-P	1500	1/2-13	1/2	1	6	11/16
IL7-7Bx8-HX-P	IL7-7BSx8-HX-P	1000	1/2-13	1/2	1	8	11/16
IL7-7FBx1-P	IL7-7FBSx1-P	2000	1/2-20	1/2	1	1	11/16
IL7-7FBx2-P	IL7-7FBSx2-P	2000	1/2-20	1/2	1	2	11/16
IL7-7FBx4-P	IL7-7FBSx4-P	2000	1/2-20	1/2	1	4	11/16
IL7-8B-P	IL7-8BS-P	2500	5/8-11	5/8	1	1-9/16	11/16
IL7-8Bx3-P	IL7-8BSx3-P	2500	5/8-11	5/8	1	3	11/16
IL7-8Bx4-P	IL7-8BSx4-P	2500	5/8-11	5/8	1	4	11/16
IL7-8Bx5-P	IL7-8BSx5-P	2500	5/8-11	5/8	1	5	11/16
IL7-9B-P	IL7-9BS-P	3000	3/4-10	3/4	1	1-9/16	11/16
IL7-9Bx3-P	IL7-9BSx3-P	3000	3/4-10	3/4	1	3	11/16
IL7-9Bx4-P	IL7-9BSx4-P	3000	3/4-10	3/4	1	4	11/16
IL8-4Bx1/2-P	IL8-4BSx1/2-P	100	1/4-20	1/2	1-1/2	1/2	11/16
IL8-4Bx1-P	IL8-4BSx1-P	100	1/4-20	1/2	1-1/2	1	11/16
IL8-4B-P	IL8-4BS-P	100	1/4-20	1/2	1-1/2	1-9/16	11/16
IL8-4Bx2-HX-P	IL8-4BSx2-HX-P	100	1/4-20	1/2	1-1/2	2	11/16
IL8-4Bx25-P	IL8-4BSx25-P	100	1/4-20	1/2	1-1/2	2-1/2	11/16
IL8-5Bx3/4-P	IL8-5BSx3/4-P	500	5/16-18	1/2	1-1/2	3/4	11/16
IL8-5Bx15-HX-P	IL8-5BSx15-HX-P	500	5/16-18	1/2	1-1/2	1-1/2	11/16
IL8-5B-P	IL8-5BS-P	500	5/16-18	1/2	1-1/2	1-9/16	11/16
IL8-5Bx25-HX-P	IL8-5BSx25-HX-P	500	5/16-18	1/2	1-1/2	2-1/2	11/16
IL8-5Bx3-P	IL8-5BSx3-P	500	5/16-18	1/2	1-1/2	3	11/16
IL8-5Bx4-P	IL8-5BSx4-P	500	5/16-18	1/2	1-1/2	4	11/16
IL8-6Bx3/4-P	IL8-6BSx3/4-P	1000	3/8-16	1/2	1-1/2	3/4	11/16
IL8-6Bx15-HX-P	IL8-6BSx15-HX-P	1000	3/8-16	1/2	1-1/2	1-1/2	11/16
IL8-6B-P	IL8-6BS-P	1000	3/8-16	1/2	1-1/2	1-9/16	11/16
IL8-6Bx1-P	IL8-6BSx1-P	1000	3/8-16	1/2	1-1/2	1	11/16
IL8-6Bx2-P	IL8-6BSx2-P	1000	3/8-16	1/2	1-1/2	2	11/16
IL8-6Bx2-HX-P	IL8-6BSx2-HX-P	1000	3/8-16	1/2	1-1/2	2	11/16
IL8-6Bx3-P	IL8-6BSx3-P	1000	3/8-16	1/2	1-1/2	3	11/16
IL8-6Bx3-HX-P	IL8-6BSx3-HX-P	1000	3/8-16	1/2	1-1/2	3	11/16
IL8-6Bx4-P	IL8-6BSx4-P	1000	3/8-16	1/2	1-1/2	4	11/16
IL8-6Bx45-HX-P	IL8-6BSx45-HX-P	1000	3/8-16	1/2	1-1/2	4-1/2	11/16
IL8-6Bx6-HX-P	IL8-6BSx6-HX-P	1000	3/8-16	1/2	1-1/2	6	11/16
IL8-6FBx1-P	IL8-6FBSx1-P	1000	3/8-24	1/2	1-1/2	1	11/16
IL8-6FBx2-P	IL8-6FBSx2-P	1000	3/8-24	1/2	1-1/2	2	11/16
IL8-7B-P	IL8-7BS-P	2000	1/2-13	1/2	1-1/2	1-9/16	11/16
IL8-7Bx2-P	IL8-7BSx2-P	2000	1/2-13	1/2	1-1/2	2	11/16
IL8-7Bx2-HX-P	IL8-7BSx2-HX-P	2000	1/2-13	1/2	1-1/2	2	11/16
IL8-7Bx25-HX-P	IL8-7BSx25-HX-P	2000	1/2-13	1/2	1-1/2	2-1/2	11/16
IL8-7Bx3-P	IL8-7BSx3-P	2000	1/2-13	1/2	1-1/2	3	11/16
IL8-7Bx3-HX-P	IL8-7BSx3-HX-P	2000	1/2-13	1/2	1-1/2	3	11/16
IL8-7Bx35-HX-P	IL8-7BSx35-HX-P	2000	1/2-13	1/2	1-1/2	3-1/2	11/16
IL8-7Bx4-P	IL8-7BSx4-P	2000	1/2-13	1/2	1-1/2	4	11/16
IL8-7Bx4-HX-P	IL8-7BSx4-HX-P	2000	1/2-13	1/2	1-1/2	4	11/16
IL8-7Bx5-P	IL8-7BSx5-P	2000	1/2-13	1/2	1-1/2	5	11/16
IL8-7Bx5-HX-P	IL8-7BSx5-HX-P	2000	1/2-13	1/2	1-1/2	5	11/16
IL8-7Bx6-HX-P	IL8-7BSx6-HX-P	1500	1/2-13	1/2	1-1/2	6	11/16
IL8-7Bx8-HX-P	IL8-7BSx8-HX-P	1000	1/2-13	1/2	1-1/2	8	11/16



POLY BASE FIXED STUD GLIDES

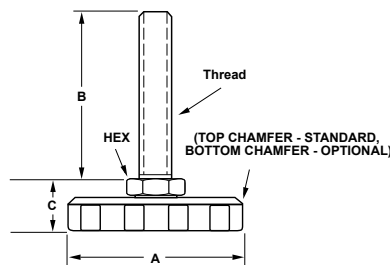
The IEC *Poly Base Steel and Stainless Steel Fixed Stud Glide* is ideal for medium-duty load requirements. The stud will tilt several degrees under load to compensate for unlevel surfaces. Cost-effective for applications not requiring a swivel base. Zinc plated steel stud and black polypropylene base, 3/8" thick. Four base sizes to choose from (1" to 3"). Many sizes available with Top-A-Just™ top-end external hex (-HX). You may also request top broached hex, allen drive (-BR).



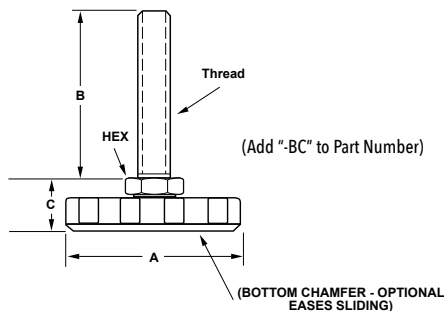
Top-A-Just™ (-BR)



Top-A-Just™ (-HX)



Optional bottom chamfer (reverse assembly) – with 90° top edge



Steel	SS	Load	Thread	Hex	A	B	C
Poly Base Steel and Stainless Steel Fixed Stud Glides							
IL8-7FBx1	IL8-7FBSx1	2000	1/2-20	1/2	1-1/2	1	11/16
IL8-7FBx2	IL8-7FBSx2	2000	1/2-20	1/2	1-1/2	2	11/16
IL8-7FBx4	IL8-7FBSx4	2000	1/2-20	1/2	1-1/2	4	11/16
IL8-8B	IL8-8BS	2500	5/8-11	5/8	1-1/2	1-9/16	11/16
IL8-8Bx3	IL8-8BSx3	2500	5/8-11	5/8	1-1/2	3	11/16
IL8-8Bx4	IL8-8BSx4	2500	5/8-11	5/8	1-1/2	4	11/16
IL8-8Bx5	IL8-8BSx5	2500	5/8-11	5/8	1-1/2	5	11/16
IL8-9B	IL8-9BS	3000	3/4-10	3/4	1-1/2	1-9/16	11/16
IL8-9Bx3	IL8-9BSx3	3000	3/4-10	3/4	1-1/2	3	11/16
IL8-9Bx4	IL8-9BSx4	3000	3/4-10	3/4	1-1/2	4	11/16
IL7A-4Bx1/2	IL7A-4BSx1/2	100	1/4-20	1/2	2	1/2	11/16
IL7A-4Bx1	IL7A-4BSx1	100	1/4-20	1/2	2	1	11/16
IL7A-4B	IL7A-4BS	100	1/4-20	1/2	2	1-9/16	11/16
IL7A-4Bx2-HX	IL7A-4BSx2-HX	100	1/4-20	1/2	2	2	11/16
IL7A-4Bx25	IL7A-4BSx25	100	1/4-20	1/2	2	2-1/2	11/16
IL7A-5Bx3/4	IL7A-5BSx3/4	500	5/16-18	1/2	2	3/4	11/16
IL7A-5Bx15-HX	IL7A-5BSx15-HX	500	5/16-18	1/2	2	1-1/2	11/16
IL7A-5B	IL7A-5BS	500	5/16-18	1/2	2	1-9/16	11/16
IL7A-5Bx25-HX	IL7A-5BSx25-HX	500	5/16-18	1/2	2	2-1/2	11/16
IL7A-5Bx3	IL7A-5BSx3	500	5/16-18	1/2	2	3	11/16
IL7A-5Bx4	IL7A-5BSx4	500	5/16-18	1/2	2	4	11/16
IL7A-6Bx3/4	IL7A-6BSx3/4	1000	3/8-16	1/2	2	3/4	11/16
IL7A-6Bx15-HX	IL7A-6BSx15-HX	1000	3/8-16	1/2	2	1-1/2	11/16
IL7A-6B	IL7A-6BS	1000	3/8-16	1/2	2	1-9/16	11/16
IL7A-6Bx1	IL7A-6BSx1	1000	3/8-16	1/2	2	1	11/16
IL7A-6Bx2	IL7A-6BSx2	1000	3/8-16	1/2	2	2	11/16
IL7A-6Bx2-HX	IL7A-6BSx2-HX	1000	3/8-16	1/2	2	2	11/16
IL7A-6Bx3	IL7A-6BSx3	1000	3/8-16	1/2	2	3	11/16
IL7A-6Bx3-HX	IL7A-6BSx3-HX	1000	3/8-16	1/2	2	3	11/16
IL7A-6Bx4	IL7A-6BSx4	1000	3/8-16	1/2	2	4	11/16
IL7A-6Bx45-HX	IL7A-6BSx45-HX	1000	3/8-16	1/2	2	4-1/2	11/16
IL7A-6Bx6-HX	IL7A-6BSx6-HX	1000	3/8-16	1/2	2	6	11/16
IL7A-6FBx1	IL7A-6FBSx1	1000	3/8-24	1/2	2	1	11/16
IL7A-6FBx2	IL7A-6FBSx2	1000	3/8-24	1/2	2	2	11/16
IL7A-7B	IL7A-7BS	2000	1/2-13	1/2	2	1-9/16	11/16
IL7A-7Bx2	IL7A-7BSx2	2000	1/2-13	1/2	2	2	11/16
IL7A-7Bx2-HX	IL7A-7BSx2-HX	2000	1/2-13	1/2	2	2	11/16
IL7A-7Bx25-HX	IL7A-7BSx25-HX	2000	1/2-13	1/2	2	2-1/2	11/16
IL7A-7Bx3	IL7A-7BSx3	2000	1/2-13	1/2	2	3	11/16
IL7A-7Bx3-HX	IL7A-7BSx3-HX	2000	1/2-13	1/2	2	3	11/16
IL7A-7Bx35-HX	IL7A-7BSx35-HX	2000	1/2-13	1/2	2	3-1/2	11/16
IL7A-7Bx4	IL7A-7BSx4	2000	1/2-13	1/2	2	4	11/16
IL7A-7Bx4-HX	IL7A-7BSx4-HX	2000	1/2-13	1/2	2	4	11/16
IL7A-7Bx5	IL7A-7BSx5	2000	1/2-13	1/2	2	5	11/16
IL7A-7Bx5-HX	IL7A-7BSx5-HX	2000	1/2-13	1/2	2	5	11/16
IL7A-7Bx6-HX	IL7A-7BSx6-HX	1500	1/2-13	1/2	2	6	11/16
IL7A-7Bx8-HX	IL7A-7BSx8-HX	1000	1/2-13	1/2	2	8	11/16
IL7A-7FBx1	IL7A-7FBSx1	2000	1/2-20	1/2	2	1	11/16
IL7A-7FBx2	IL7A-7FBSx2	2000	1/2-20	1/2	2	2	11/16
IL7A-7FBx4	IL7A-7FBSx4	2000	1/2-20	1/2	2	4	11/16
IL7A-8B	IL7A-8BS	2500	5/8-11	5/8	2	1-9/16	11/16
IL7A-8Bx3	IL7A-8BSx3	2500	5/8-11	5/8	2	3	11/16
IL7A-8Bx4	IL7A-8BSx4	2500	5/8-11	5/8	2	4	11/16
IL7A-8Bx5	IL7A-8BSx5	2500	5/8-11	5/8	2	5	11/16
IL7A-9B	IL7A-9BS	3000	3/4-10	3/4	2	1-9/16	11/16
IL7A-9Bx3	IL7A-9BSx3	3000	3/4-10	3/4	2	3	11/16
IL7A-9Bx4	IL7A-9BSx4	3000	3/4-10	3/4	2	4	11/16
IL7M-4Bx1/2	IL7M-4BSx1/2	100	1/4-20	1/2	2-1/2	1/2	11/16
IL7M-4Bx1	IL7M-4BSx1	100	1/4-20	1/2	2-1/2	1	11/16
IL7M-4B	IL7M-4BS	100	1/4-20	1/2	2-1/2	1-9/16	11/16
IL7M-4Bx2-HX	IL7M-4BSx2-HX	100	1/4-20	1/2	2-1/2	2	11/16
IL7M-4Bx25	IL7M-4BSx25	100	1/4-20	1/2	2-1/2	2-1/2	11/16
IL7M-5Bx3/4	IL7M-5BSx3/4	500	5/16-18	1/2	2-1/2	3/4	11/16
IL7M-5Bx15-HX	IL7M-5BSx15-HX	500	5/16-18	1/2	2-1/2	1-1/2	11/16
IL7M-5B	IL7M-5BS	500	5/16-18	1/2	2-1/2	1-9/16	11/16
IL7M-5Bx25-HX	IL7M-5BSx25-HX	500	5/16-18	1/2	2-1/2	2-1/2	11/16
IL7M-5Bx3	IL7M-5BSx3	500	5/16-18	1/2	2-1/2	3	11/16
IL7M-5Bx4	IL7M-5BSx4	500	5/16-18	1/2	2-1/2	4	11/16
IL7M-6Bx3/4	IL7M-6BSx3/4	1000	3/8-16	1/2	2-1/2	3/4	11/16
IL7M-6Bx15-HX	IL7M-6BSx15-HX	1000	3/8-16	1/2	2-1/2	1-1/2	11/16
IL7M-6B	IL7M-6BS	1000	3/8-16	1/2	2-1/2	1-9/16	11/16
IL7M-6Bx1	IL7M-6BSx1	1000	3/8-16	1/2	2-1/2	1	11/16
IL7M-6Bx2	IL7M-6BSx2	1000	3/8-16	1/2	2-1/2	2	11/16
IL7M-6Bx2-HX	IL7M-6BSx2-HX	1000	3/8-16	1/2	2-1/2	2	11/16
IL7M-6Bx3	IL7M-6BSx3	1000	3/8-16	1/2	2-1/2	3	11/16
IL7M-6Bx3-HX	IL7M-6BSx3-HX	1000	3/8-16	1/2	2-1/2	3	11/16
IL7M-6Bx4	IL7M-6BSx4	1000	3/8-16	1/2	2-1/2	4	11/16
IL7M-6Bx45-HX	IL7M-6BSx45-HX	1000	3/8-16	1/2	2-1/2	4-1/2	11/16
IL7M-6Bx6-HX	IL7M-6BSx6-HX	1000	3/8-16	1/2	2-1/2	6	11/16
IL7M-6FBx1	IL7M-6FBSx1	1000	3/8-24	1/2	2-1/2	1	11/16
IL7M-6FBx2	IL7M-6FBSx2	1000	3/8-24	1/2	2-1/2	2	11/16



POLY BASE FIXED STUD GLIDES WITH RUBBER PAD

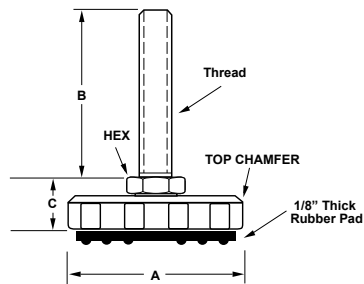
The IEC Poly Base Steel and Stainless Steel Fixed Stud Glide with Rubber Pad is ideal for medium-duty load requirements. The rubber pad provides a non-skid, surface protecting feature, while the stud tilts several degrees under load to compensate for unlevel surfaces. Cost-effective for applications not requiring a swivel base. Zinc plated steel stud and black polypropylene base, 3/8" thick. Four base sizes to choose from (1" to 3"). Many sizes available with Top-A-Just™ top-end external hex (-HX). You may also request top broached hex, allen drive (-BR).



Top-A-Just™ (-BR)



Top-A-Just™ (-HX)



Rubber Pad Bottom View

Steel	SS	Load	Thread	Hex	A	B	C
Poly Base Steel and Stainless Steel Fixed Stud Glides							
IL8-7FBx1-P	IL8-7FBSx1-P	2000	1/2-20	1/2	1-1/2	1	11/16
IL8-7FBx2-P	IL8-7FBSx2-P	2000	1/2-20	1/2	1-1/2	2	11/16
IL8-7FBx4-P	IL8-7FBSx4-P	2000	1/2-20	1/2	1-1/2	4	11/16
IL8-8B-P	IL8-8BS-P	2500	5/8-11	5/8	1-1/2	1-9/16	11/16
IL8-8Bx3-P	IL8-8BSx3-P	2500	5/8-11	5/8	1-1/2	3	11/16
IL8-8Bx4-P	IL8-8BSx4-P	2500	5/8-11	5/8	1-1/2	4	11/16
IL8-8Bx5-P	IL8-8BSx5-P	2500	5/8-11	5/8	1-1/2	5	11/16
IL8-9B-P	IL8-9BS-P	3000	3/4-10	3/4	1-1/2	1-9/16	11/16
IL8-9Bx3-P	IL8-9BSx3-P	3000	3/4-10	3/4	1-1/2	3	11/16
IL8-9Bx4-P	IL8-9BSx4-P	3000	3/4-10	3/4	1-1/2	4	11/16
IL7A-4Bx1/2-P	IL7A-4BSx1/2-P	100	1/4-20	1/2	2	1/2	11/16
IL7A-4Bx1-P	IL7A-4BSx1-P	100	1/4-20	1/2	2	1	11/16
IL7A-4B-P	IL7A-4BS-P	100	1/4-20	1/2	2	1-9/16	11/16
IL7A-4Bx2-HX-P	IL7A-4BSx2-HX-P	100	1/4-20	1/2	2	2	11/16
IL7A-4Bx25-P	IL7A-4BSx25-P	100	1/4-20	1/2	2	2-1/2	11/16
IL7A-5Bx3/4-P	IL7A-5BSx3/4-P	500	5/16-18	1/2	2	3/4	11/16
IL7A-5Bx15-HX-P	IL7A-5BSx15-HX-P	500	5/16-18	1/2	2	1-1/2	11/16
IL7A-5B-P	IL7A-5BS-P	500	5/16-18	1/2	2	1-9/16	11/16
IL7A-5Bx25-HX-P	IL7A-5BSx25-HX-P	500	5/16-18	1/2	2	2-1/2	11/16
IL7A-5Bx3-P	IL7A-5BSx3-P	500	5/16-18	1/2	2	3	11/16
IL7A-5Bx4-P	IL7A-5BSx4-P	500	5/16-18	1/2	2	4	11/16
IL7A-6Bx3/4-P	IL7A-6BSx3/4-P	1000	3/8-16	1/2	2	3/4	11/16
IL7A-6Bx15-HX-P	IL7A-6BSx15-HX-P	1000	3/8-16	1/2	2	1-1/2	11/16
IL7A-6B-P	IL7A-6BS-P	1000	3/8-16	1/2	2	1-9/16	11/16
IL7A-6Bx1-P	IL7A-6BSx1-P	1000	3/8-16	1/2	2	1	11/16
IL7A-6Bx2-P	IL7A-6BSx2-P	1000	3/8-16	1/2	2	2	11/16
IL7A-6Bx2-HX-P	IL7A-6BSx2-HX-P	1000	3/8-16	1/2	2	2	11/16
IL7A-6Bx3-P	IL7A-6BSx3-P	1000	3/8-16	1/2	2	3	11/16
IL7A-6Bx3-HX-P	IL7A-6BSx3-HX-P	1000	3/8-16	1/2	2	3	11/16
IL7A-6Bx4-P	IL7A-6BSx4-P	1000	3/8-16	1/2	2	4	11/16
IL7A-6Bx45-HX-P	IL7A-6BSx45-HX-P	1000	3/8-16	1/2	2	4-1/2	11/16
IL7A-6Bx6-HX-P	IL7A-6BSx6-HX-P	1000	3/8-16	1/2	2	6	11/16
IL7A-6FBx1-P	IL7A-6FBSx1-P	1000	3/8-24	1/2	2	1	11/16
IL7A-6FBx2-P	IL7A-6FBSx2-P	1000	3/8-24	1/2	2	2	11/16
IL7A-7B-P	IL7A-7BS-P	2000	1/2-13	1/2	2	1-9/16	11/16
IL7A-7Bx2-P	IL7A-7BSx2-P	2000	1/2-13	1/2	2	2	11/16
IL7A-7Bx2-HX-P	IL7A-7BSx2-HX-P	2000	1/2-13	1/2	2	2	11/16
IL7A-7Bx25-HX-P	IL7A-7BSx25-HX-P	2000	1/2-13	1/2	2	2-1/2	11/16
IL7A-7Bx3-P	IL7A-7BSx3-P	2000	1/2-13	1/2	2	3	11/16
IL7A-7Bx3-HX-P	IL7A-7BSx3-HX-P	2000	1/2-13	1/2	2	3	11/16
IL7A-7Bx35-HX-P	IL7A-7BSx35-HX-P	2000	1/2-13	1/2	2	3-1/2	11/16
IL7A-7Bx4-P	IL7A-7BSx4-P	2000	1/2-13	1/2	2	4	11/16
IL7A-7Bx4-HX-P	IL7A-7BSx4-HX-P	2000	1/2-13	1/2	2	4	11/16
IL7A-7Bx5-P	IL7A-7BSx5-P	2000	1/2-13	1/2	2	5	11/16
IL7A-7Bx5-HX-P	IL7A-7BSx5-HX-P	2000	1/2-13	1/2	2	5	11/16
IL7A-7Bx6-HX-P	IL7A-7BSx6-HX-P	1500	1/2-13	1/2	2	6	11/16
IL7A-7Bx8-HX-P	IL7A-7BSx8-HX-P	1000	1/2-13	1/2	2	8	11/16
IL7A-7FBx1-P	IL7A-7FBSx1-P	2000	1/2-20	1/2	2	1	11/16
IL7A-7FBx2-P	IL7A-7FBSx2-P	2000	1/2-20	1/2	2	2	11/16
IL7A-7FBx4-P	IL7A-7FBSx4-P	2000	1/2-20	1/2	2	4	11/16
IL7A-8B-P	IL7A-8BS-P	2500	5/8-11	5/8	2	1-9/16	11/16
IL7A-8Bx3-P	IL7A-8BSx3-P	2500	5/8-11	5/8	2	3	11/16
IL7A-8Bx4-P	IL7A-8BSx4-P	2500	5/8-11	5/8	2	4	11/16
IL7A-8Bx5-P	IL7A-8BSx5-P	2500	5/8-11	5/8	2	5	11/16
IL7A-9B-P	IL7A-9BS-P	3000	3/4-10	3/4	2	1-9/16	11/16
IL7A-9Bx3-P	IL7A-9BSx3-P	3000	3/4-10	3/4	2	3	11/16
IL7A-9Bx4-P	IL7A-9BSx4-P	3000	3/4-10	3/4	2	4	11/16
IL7M-4Bx1/2-P	IL7M-4BSx1/2-P	100	1/4-20	1/2	2-1/2	1/2	11/16
IL7M-4Bx1-P	IL7M-4BSx1-P	100	1/4-20	1/2	2-1/2	1	11/16
IL7M-4B-P	IL7M-4BS-P	100	1/4-20	1/2	2-1/2	1-9/16	11/16
IL7M-4Bx2-HX-P	IL7M-4BSx2-HX-P	100	1/4-20	1/2	2-1/2	2	11/16
IL7M-4Bx25-P	IL7M-4BSx25-P	100	1/4-20	1/2	2-1/2	2-1/2	11/16
IL7M-5Bx3/4-P	IL7M-5BSx3/4-P	500	5/16-18	1/2	2-1/2	3/4	11/16
IL7M-5Bx15-HX-P	IL7M-5BSx15-HX-P	500	5/16-18	1/2	2-1/2	1-1/2	11/16
IL7M-5B-P	IL7M-5BS-P	500	5/16-18	1/2	2-1/2	1-9/16	11/16
IL7M-5Bx25-HX-P	IL7M-5BSx25-HX-P	500	5/16-18	1/2	2-1/2	2-1/2	11/16
IL7M-5Bx3-P	IL7M-5BSx3-P	500	5/16-18	1/2	2-1/2	3	11/16
IL7M-5Bx4-P	IL7M-5BSx4-P	500	5/16-18	1/2	2-1/2	4	11/16
IL7M-6Bx3/4-P	IL7M-6BSx3/4-P	1000	3/8-16	1/2	2-1/2	3/4	11/16
IL7M-6Bx15-HX-P	IL7M-6BSx15-HX-P	1000	3/8-16	1/2	2-1/2	1-1/2	11/16
IL7M-6B-P	IL7M-6BS-P	1000	3/8-16	1/2	2-1/2	1-9/16	11/16
IL7M-6Bx1-P	IL7M-6BSx1-P	1000	3/8-16	1/2	2-1/2	1	11/16
IL7M-6Bx2-P	IL7M-6BSx2-P	1000	3/8-16	1/2	2-1/2	2	11/16
IL7M-6Bx2-HX-P	IL7M-6BSx2-HX-P	1000	3/8-16	1/2	2-1/2	2	11/16
IL7M-6Bx3-P	IL7M-6BSx3-P	1000	3/8-16	1/2	2-1/2	3	11/16
IL7M-6Bx3-HX-P	IL7M-6BSx3-HX-P	1000	3/8-16	1/2	2-1/2	3	11/16
IL7M-6Bx4-P	IL7M-6BSx4-P	1000	3/8-16	1/2	2-1/2	4	11/16
IL7M-6Bx45-HX-P	IL7M-6BSx45-HX-P	1000	3/8-16	1/2	2-1/2	4-1/2	11/16
IL7M-6Bx6-HX-P	IL7M-6BSx6-HX-P	1000	3/8-16	1/2	2-1/2	6	11/16
IL7M-6FBx1-P	IL7M-6FBSx1-P	1000	3/8-24	1/2	2-1/2	1	11/16
IL7M-6FBx2-P	IL7M-6FBSx2-P	1000	3/8-24	1/2	2-1/2	2	11/16



POLY BASE FIXED STUD GLIDES

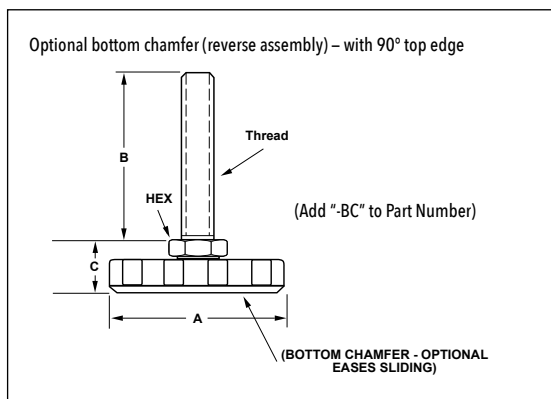
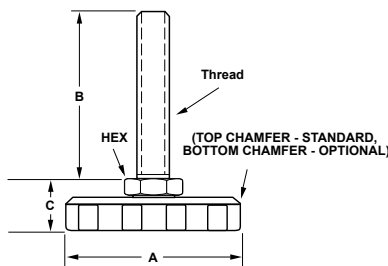
The IEC Poly Base Steel and Stainless Steel Fixed Stud Glide is ideal for medium-duty load requirements. The stud will tilt several degrees under load to compensate for unlevel surfaces. Cost-effective for applications not requiring a swivel base. Zinc plated steel stud and black polypropylene base, 3/8" thick. Four base sizes to choose from (1" to 3"). Many sizes available with Top-A-Just™ top-end external hex (-HX). You may also request top broached hex, allen drive (-BR).



Top-A-Just™ (-BR)



Top-A-Just™ (-HX)



Steel	SS	Load	Thread	Hex	A	B	C
Poly Base Steel and Stainless Steel Fixed Stud Glides							
IL7M-7B	IL7M-7BS	2000	1/2-13	1/2	2-1/2	1-9/16	11/16
IL7M-7Bx2	IL7M-7BSx2	2000	1/2-13	1/2	2-1/2	2	11/16
IL7M-7Bx2-HX	IL7M-7BSx2-HX	2000	1/2-13	1/2	2-1/2	2	11/16
IL7M-7Bx25-HX	IL7M-7BSx25-HX	2000	1/2-13	1/2	2-1/2	2-1/2	11/16
IL7M-7Bx3	IL7M-7BSx3	2000	1/2-13	1/2	2-1/2	3	11/16
IL7M-7Bx3-HX	IL7M-7BSx3-HX	2000	1/2-13	1/2	2-1/2	3	11/16
IL7M-7Bx35-HX	IL7M-7BSx35-HX	2000	1/2-13	1/2	2-1/2	3-1/2	11/16
IL7M-7Bx4	IL7M-7BSx4	2000	1/2-13	1/2	2-1/2	4	11/16
IL7M-7Bx4-HX	IL7M-7BSx4-HX	2000	1/2-13	1/2	2-1/2	4	11/16
IL7M-7Bx5	IL7M-7BSx5	2000	1/2-13	1/2	2-1/2	5	11/16
IL7M-7Bx5-HX	IL7M-7BSx5-HX	2000	1/2-13	1/2	2-1/2	5	11/16
IL7M-7Bx6-HX	IL7M-7BSx6-HX	1500	1/2-13	1/2	2-1/2	6	11/16
IL7M-7Bx8-HX	IL7M-7BSx8-HX	1000	1/2-13	1/2	2-1/2	8	11/16
IL7M-7FBx1	IL7M-7FBSx1	2000	1/2-20	1/2	2-1/2	1	11/16
IL7M-7FBx2	IL7M-7FBSx2	2000	1/2-20	1/2	2-1/2	2	11/16
IL7M-7FBx4	IL7M-7FBSx4	2000	1/2-20	1/2	2-1/2	4	11/16
IL7M-8B	IL7M-8BS	2500	5/8-11	5/8	2-1/2	1-9/16	11/16
IL7M-8Bx3	IL7M-8BSx3	2500	5/8-11	5/8	2-1/2	3	11/16
IL7M-8Bx4	IL7M-8BSx4	2500	5/8-11	5/8	2-1/2	4	11/16
IL7M-8Bx5	IL7M-8BSx5	2500	5/8-11	5/8	2-1/2	5	11/16
IL7M-9B	IL7M-9BS	3000	3/4-10	3/4	2-1/2	1-9/16	11/16
IL7M-9Bx3	IL7M-9BSx3	3000	3/4-10	3/4	2-1/2	3	11/16
IL7M-9Bx4	IL7M-9BSx4	3000	3/4-10	3/4	2-1/2	4	11/16
IL8A-4Bx1/2	IL8A-4BSx1/2	100	1/4-20	1/2	3	1/2	11/16
IL8A-4Bx1	IL8A-4BSx1	100	1/4-20	1/2	3	1	11/16
IL8A-4B	IL8A-4BS	100	1/4-20	1/2	3	1-9/16	11/16
IL8A-4Bx2-HX	IL8A-4BSx2-HX	100	1/4-20	1/2	3	2	11/16
IL8A-4Bx25	IL8A-4BSx25	100	1/4-20	1/2	3	2-1/2	11/16
IL8A-5Bx3/4	IL8A-5BSx3/4	500	5/16-18	1/2	3	3/4	11/16
IL8A-5Bx15-HX	IL8A-5BSx15-HX	500	5/16-18	1/2	3	1-1/2	11/16
IL8A-5B	IL8A-5BS	500	5/16-18	1/2	3	1-9/16	11/16
IL8A-5Bx25-HX	IL8A-5BSx25-HX	500	5/16-18	1/2	3	2-1/2	11/16
IL8A-5Bx3	IL8A-5BSx3	500	5/16-18	1/2	3	3	11/16
IL8A-5Bx4	IL8A-5BSx4	500	5/16-18	1/2	3	4	11/16
IL8A-6Bx3/4	IL8A-6BSx3/4	1000	3/8-16	1/2	3	3/4	11/16
IL8A-6Bx15-HX	IL8A-6BSx15-HX	1000	3/8-16	1/2	3	1-1/2	11/16
IL8A-6B	IL8A-6BS	1000	3/8-16	1/2	3	1-9/16	11/16
IL8A-6Bx1	IL8A-6BSx1	1000	3/8-16	1/2	3	1	11/16
IL8A-6Bx2	IL8A-6BSx2	1000	3/8-16	1/2	3	2	11/16
IL8A-6Bx2-HX	IL8A-6BSx2-HX	1000	3/8-16	1/2	3	2	11/16
IL8A-6Bx3	IL8A-6BSx3	1000	3/8-16	1/2	3	3	11/16
IL8A-6Bx3-HX	IL8A-6BSx3-HX	1000	3/8-16	1/2	3	3	11/16
IL8A-6Bx4	IL8A-6BSx4	1000	3/8-16	1/2	3	4	11/16
IL8A-6Bx45-HX	IL8A-6BSx45-HX	1000	3/8-16	1/2	3	4-1/2	11/16
IL8A-6Bx6-HX	IL8A-6BSx6-HX	1000	3/8-16	1/2	3	6	11/16
IL8A-6FBx1	IL8A-6FBSx1	1000	3/8-24	1/2	3	1	11/16
IL8A-6FBx2	IL8A-6FBSx2	1000	3/8-24	1/2	3	2	11/16
IL8A-7B	IL8A-7BS	2000	1/2-13	1/2	3	1-9/16	11/16
IL8A-7Bx2	IL8A-7BSx2	2000	1/2-13	1/2	3	2	11/16
IL8A-7Bx2-HX	IL8A-7BSx2-HX	2000	1/2-13	1/2	3	2	11/16
IL8A-7Bx25-HX	IL8A-7BSx25-HX	2000	1/2-13	1/2	3	2-1/2	11/16
IL8A-7Bx3	IL8A-7BSx3	2000	1/2-13	1/2	3	3	11/16
IL8A-7Bx3-HX	IL8A-7BSx3-HX	2000	1/2-13	1/2	3	3	11/16
IL8A-7Bx35-HX	IL8A-7BSx35-HX	2000	1/2-13	1/2	3	3-1/2	11/16
IL8A-7Bx4	IL8A-7BSx4	2000	1/2-13	1/2	3	4	11/16
IL8A-7Bx4-HX	IL8A-7BSx4-HX	2000	1/2-13	1/2	3	4	11/16
IL8A-7Bx5	IL8A-7BSx5	2000	1/2-13	1/2	3	5	11/16
IL8A-7Bx5-HX	IL8A-7BSx5-HX	2000	1/2-13	1/2	3	5	11/16
IL8A-7Bx6-HX	IL8A-7BSx6-HX	1500	1/2-13	1/2	3	6	11/16
IL8A-7Bx8-HX	IL8A-7BSx8-HX	1000	1/2-13	1/2	3	8	11/16
IL8A-7FBx1	IL8A-7FBSx1	2000	1/2-20	1/2	3	1	11/16
IL8A-7FBx2	IL8A-7FBSx2	2000	1/2-20	1/2	3	2	11/16
IL8A-7FBx4	IL8A-7FBSx4	2000	1/2-20	1/2	3	4	11/16
IL8A-8B	IL8A-8BS	2500	5/8-11	5/8	3	1-9/16	11/16
IL8A-8Bx3	IL8A-8BSx3	2500	5/8-11	5/8	3	3	11/16
IL8A-8Bx4	IL8A-8BSx4	2500	5/8-11	5/8	3	4	11/16
IL8A-8Bx5	IL8A-8BSx5	2500	5/8-11	5/8	3	5	11/16
IL8A-9B	IL8A-9BS	3000	3/4-10	3/4	3	1-9/16	11/16
IL8A-9Bx3	IL8A-9BSx3	3000	3/4-10	3/4	3	3	11/16
IL8A-9Bx4	IL8A-9BSx4	3000	3/4-10	3/4	3	4	11/16



POLY BASE FIXED STUD GLIDES WITH RUBBER PAD

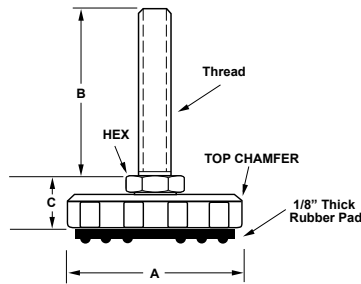
The IEC Poly Base Steel and Stainless Steel Fixed Stud Glide with Rubber Pad is ideal for medium-duty load requirements. The rubber pad provides a non-skid, surface protecting feature, while the stud tilts several degrees under load to compensate for unlevel surfaces. Cost-effective for applications not requiring a swivel base. Zinc plated steel stud and black polypropylene base, 3/8" thick. Four base sizes to choose from (1" to 3"). Many sizes available with Top-A-Just™ top-end external hex (-HX). You may also request top broached hex, allen drive (-BR).



Top-A-Just™ (-BR)



Top-A-Just™ (-HX)



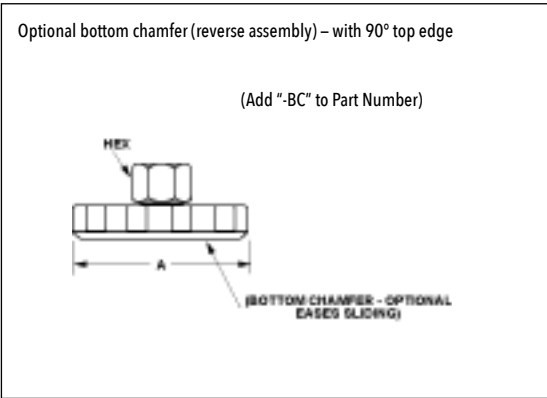
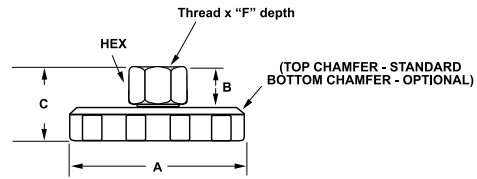
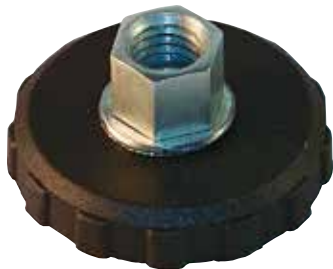
Rubber Pad Bottom View

Steel	SS	Load	Thread	Hex	A	B	C
Poly Base Steel and Stainless Steel Fixed Stud Glides							
IL7M-7B-P	IL7M-7BS-P	2000	1/2-13	1/2	2-1/2	1-9/16	11/16
IL7M-7Bx2-P	IL7M-7BSx2-P	2000	1/2-13	1/2	2-1/2	2	11/16
IL7M-7Bx2-HX-P	IL7M-7BSx2-HX-P	2000	1/2-13	1/2	2-1/2	2	11/16
IL7M-7Bx25-HX-P	IL7M-7BSx25-HX-P	2000	1/2-13	1/2	2-1/2	2-1/2	11/16
IL7M-7Bx3-P	IL7M-7BSx3-P	2000	1/2-13	1/2	2-1/2	3	11/16
IL7M-7Bx3-HX-P	IL7M-7BSx3-HX-P	2000	1/2-13	1/2	2-1/2	3	11/16
IL7M-7Bx35-HX-P	IL7M-7BSx35-HX-P	2000	1/2-13	1/2	2-1/2	3-1/2	11/16
IL7M-7Bx4-P	IL7M-7BSx4-P	2000	1/2-13	1/2	2-1/2	4	11/16
IL7M-7Bx4-HX-P	IL7M-7BSx4-HX-P	2000	1/2-13	1/2	2-1/2	4	11/16
IL7M-7Bx5-P	IL7M-7BSx5-P	2000	1/2-13	1/2	2-1/2	5	11/16
IL7M-7Bx5-HX-P	IL7M-7BSx5-HX-P	2000	1/2-13	1/2	2-1/2	5	11/16
IL7M-7Bx6-HX-P	IL7M-7BSx6-HX-P	1500	1/2-13	1/2	2-1/2	6	11/16
IL7M-7Bx8-HX-P	IL7M-7BSx8-HX-P	1000	1/2-13	1/2	2-1/2	8	11/16
IL7M-7FBx1-P	IL7M-7FBSx1-P	2000	1/2-20	1/2	2-1/2	1	11/16
IL7M-7FBx2-P	IL7M-7FBSx2-P	2000	1/2-20	1/2	2-1/2	2	11/16
IL7M-7FBx4-P	IL7M-7FBSx4-P	2000	1/2-20	1/2	2-1/2	4	11/16
IL7M-8B-P	IL7M-8BS-P	2500	5/8-11	5/8	2-1/2	1-9/16	11/16
IL7M-8Bx3-P	IL7M-8BSx3-P	2500	5/8-11	5/8	2-1/2	3	11/16
IL7M-8Bx4-P	IL7M-8BSx4-P	2500	5/8-11	5/8	2-1/2	4	11/16
IL7M-8Bx5-P	IL7M-8BSx5-P	2500	5/8-11	5/8	2-1/2	5	11/16
IL7M-9B-P	IL7M-9BS-P	3000	3/4-10	3/4	2-1/2	1-9/16	11/16
IL7M-9Bx3-P	IL7M-9BSx3-P	3000	3/4-10	3/4	2-1/2	3	11/16
IL7M-9Bx4-P	IL7M-9BSx4-P	3000	3/4-10	3/4	2-1/2	4	11/16
IL8A-4Bx1/2-P	IL8A-4BSx1/2-P	100	1/4-20	1/2	3	1/2	11/16
IL8A-4Bx1-P	IL8A-4BSx1-P	100	1/4-20	1/2	3	1	11/16
IL8A-4B-P	IL8A-4BS-P	100	1/4-20	1/2	3	1-9/16	11/16
IL8A-4Bx25-P	IL8A-4BSx25-P	100	1/4-20	1/2	3	2-1/2	11/16
IL8A-5Bx3/4-P	IL8A-5BSx3/4-P	500	5/16-18	1/2	3	3/4	11/16
IL8A-5Bx15-HX-P	IL8A-5BSx15-HX-P	500	5/16-18	1/2	3	1-1/2	11/16
IL8A-5B-P	IL8A-5BS-P	500	5/16-18	1/2	3	1-9/16	11/16
IL8A-5Bx25-HX-P	IL8A-5BSx25-HX-P	500	5/16-18	1/2	3	2-1/2	11/16
IL8A-5Bx3-P	IL8A-5BSx3-P	500	5/16-18	1/2	3	3	11/16
IL8A-5Bx4-P	IL8A-5BSx4-P	500	5/16-18	1/2	3	4	11/16
IL8A-6Bx3/4-P	IL8A-6BSx3/4-P	1000	3/8-16	1/2	3	3/4	11/16
IL8A-6Bx15-HX-P	IL8A-6BSx15-HX-P	1000	3/8-16	1/2	3	1-1/2	11/16
IL8A-6B-P	IL8A-6BS-P	1000	3/8-16	1/2	3	1-9/16	11/16
IL8A-6Bx1-P	IL8A-6BSx1-P	1000	3/8-16	1/2	3	1	11/16
IL8A-6Bx2-P	IL8A-6BSx2-P	1000	3/8-16	1/2	3	2	11/16
IL8A-6Bx2-HX-P	IL8A-6BSx2-HX-P	1000	3/8-16	1/2	3	2	11/16
IL8A-6Bx3-P	IL8A-6BSx3-P	1000	3/8-16	1/2	3	3	11/16
IL8A-6Bx3-HX-P	IL8A-6BSx3-HX-P	1000	3/8-16	1/2	3	3	11/16
IL8A-6Bx4-P	IL8A-6BSx4-P	1000	3/8-16	1/2	3	4	11/16
IL8A-6Bx45-HX-P	IL8A-6BSx45-HX-P	1000	3/8-16	1/2	3	4-1/2	11/16
IL8A-6Bx6-HX-P	IL8A-6BSx6-HX-P	1000	3/8-16	1/2	3	6	11/16
IL8A-6FBx1-P	IL8A-6FBSx1-P	1000	3/8-24	1/2	3	1	11/16
IL8A-6FBx2-P	IL8A-6FBSx2-P	1000	3/8-24	1/2	3	2	11/16
IL8A-7B-P	IL8A-7BS-P	2000	1/2-13	1/2	3	1-9/16	11/16
IL8A-7Bx2-P	IL8A-7BSx2-P	2000	1/2-13	1/2	3	2	11/16
IL8A-7Bx2-HX-P	IL8A-7BSx2-HX-P	2000	1/2-13	1/2	3	2	11/16
IL8A-7Bx25-HX-P	IL8A-7BSx25-HX-P	2000	1/2-13	1/2	3	2-1/2	11/16
IL8A-7Bx3-P	IL8A-7BSx3-P	2000	1/2-13	1/2	3	3	11/16
IL8A-7Bx3-HX-P	IL8A-7BSx3-HX-P	2000	1/2-13	1/2	3	3	11/16
IL8A-7Bx35-HX-P	IL8A-7BSx35-HX-P	2000	1/2-13	1/2	3	3-1/2	11/16
IL8A-7Bx4-P	IL8A-7BSx4-P	2000	1/2-13	1/2	3	4	11/16
IL8A-7Bx4-HX-P	IL8A-7BSx4-HX-P	2000	1/2-13	1/2	3	4	11/16
IL8A-7Bx5-P	IL8A-7BSx5-P	2000	1/2-13	1/2	3	5	11/16
IL8A-7Bx5-HX-P	IL8A-7BSx5-HX-P	2000	1/2-13	1/2	3	5	11/16
IL8A-7Bx6-HX-P	IL8A-7BSx6-HX-P	1500	1/2-13	1/2	3	6	11/16
IL8A-7Bx8-HX-P	IL8A-7BSx8-HX-P	1000	1/2-13	1/2	3	8	11/16
IL8A-7FBx1-P	IL8A-7FBSx1-P	2000	1/2-20	1/2	3	1	11/16
IL8A-7FBx2-P	IL8A-7FBSx2-P	2000	1/2-20	1/2	3	2	11/16
IL8A-7FBx4-P	IL8A-7FBSx4-P	2000	1/2-20	1/2	3	4	11/16
IL8A-8B-P	IL8A-8BS-P	2500	5/8-11	5/8	3	1-9/16	11/16
IL8A-8Bx3-P	IL8A-8BSx3-P	2500	5/8-11	5/8	3	3	11/16
IL8A-8Bx4-P	IL8A-8BSx4-P	2500	5/8-11	5/8	3	4	11/16
IL8A-8Bx5-P	IL8A-8BSx5-P	2500	5/8-11	5/8	3	5	11/16
IL8A-9B-P	IL8A-9BS-P	3000	3/4-10	3/4	3	1-9/16	11/16
IL8A-9Bx3-P	IL8A-9BSx3-P	3000	3/4-10	3/4	3	3	11/16
IL8A-9Bx4-P	IL8A-9BSx4-P	3000	3/4-10	3/4	3	4	11/16



**POLY BASE FIXED SOCKET
LEVELING GLIDES**

The IEC Poly Base Steel and Stainless Steel Fixed Socket Glide is ideal for medium-duty load requirements. A cost-effective socket glide suitable for applications not requiring a swivel base. Features a black polypropylene base and large adjustment hex nut.



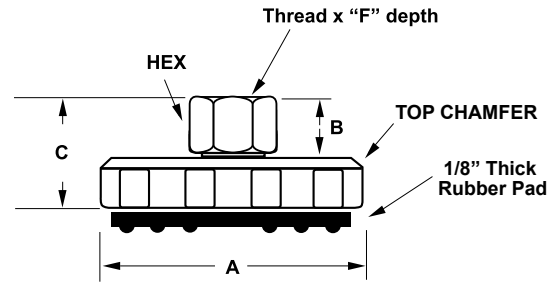
LOW PROFILE POLY FIXED — SOCKET LEVELERS

Steel	Stainless	Load	Thread	Hex	A	B	C	F
IL7-4B-T	IL7-4BS-T	100	1/4-20	1/2	1	3/16	5/8	1/4
IL7-5B-T	IL7-5BS-T	500	5/16-18	1/2	1	3/8	3/4	1/4
IL7-6B-T	IL7-6BS-T	1000	3/8-16	1/2	1	1/2	7/8	3/8
IL7-7B-T	IL7-7BS-T	2000	1/2-13	5/8	1	1/2	7/8	3/8
IL7-8B-T	IL7-8BS-T	3000	5/8-11	3/4	1	5/8	1	1/2
IL7-9B-T	IL7-9BS-T	3000	3/4-10	1	1	3/4	1-1/8	5/8
IL8-4B-T	IL8-4BS-T	100	1/4-20	1/2	1-1/2	3/16	5/8	1/4
IL8-5B-T	IL8-5BS-T	500	5/16-18	1/2	1-1/2	3/8	3/4	1/4
IL8-6B-T	IL8-6BS-T	1000	3/8-16	1/2	1-1/2	1/2	7/8	3/8
IL8-7B-T	IL8-7BS-T	2000	1/2-13	5/8	1-1/2	1/2	7/8	3/8
IL8-8B-T	IL8-8BS-T	3000	5/8-11	3/4	1-1/2	5/8	1	1/2
IL8-9B-T	IL8-9BS-T	3000	3/4-10	1	1-1/2	3/4	1-1/8	5/8
IL7A-4B-T	IL7A-4BS-T	100	1/4-20	1/2	2	3/16	5/8	1/4
IL7A-5B-T	IL7A-5BS-T	500	5/16-18	1/2	2	3/8	3/4	1/4
IL7A-6B-T	IL7A-6BS-T	1000	3/8-16	1/2	2	1/2	7/8	3/8
IL7A-7B-T	IL7A-7BS-T	2000	1/2-13	5/8	2	1/2	7/8	3/8
IL7A-8B-T	IL7A-8BS-T	3000	5/8-11	3/4	2	5/8	1	1/2
IL7A-9B-T	IL7A-9BS-T	3000	3/4-10	1	2	3/4	1-1/8	5/8
IL7M-4B-T	IL7M-4BS-T	100	1/4-20	1/2	2-1/2	3/16	5/8	1/4
IL7M-5B-T	IL7M-5BS-T	500	5/16-18	1/2	2-1/2	3/8	3/4	1/4
IL7M-6B-T	IL7M-6BS-T	1000	3/8-16	1/2	2-1/2	1/2	7/8	3/8
IL7M-7B-T	IL7M-7BS-T	2000	1/2-13	5/8	2-1/2	1/2	7/8	3/8
IL7M-8B-T	IL7M-8BS-T	3000	5/8-11	3/4	2-1/2	5/8	1	1/2
IL7M-9B-T	IL7M-9BS-T	3000	3/4-10	1	2-1/2	3/4	1-1/8	5/8
IL8A-4B-T	IL8A-4BS-T	100	1/4-20	1/2	3	3/16	5/8	1/4
IL8A-5B-T	IL8A-5BS-T	500	5/16-18	1/2	3	3/8	3/4	1/4
IL8A-6B-T	IL8A-6BS-T	1000	3/8-16	1/2	3	1/2	7/8	3/8
IL8A-7B-T	IL8A-7BS-T	2000	1/2-13	5/8	3	1/2	7/8	3/8
IL8A-8B-T	IL8A-8BS-T	3000	5/8-11	3/4	3	5/8	1	1/2
IL8A-9B-T	IL8A-9BS-T	3000	3/4-10	1	3	3/4	1-1/8	5/8



METRIC POLY BASE FIXED SOCKET LEVELING GLIDES WITH RUBBER PAD

The IEC *Metric Poly Base Steel and Stainless Steel Fixed Socket Glide with Rubber Pad* is ideal for medium-duty load requirements. The rubber pad provides a non-skid surface protecting feature. A cost-effective socket glide suitable for applications not requiring a swivel base. Features a black polypropylene base and large adjustment hex nut.



Rubber Pad Bottom View

METRIC POLY FIXED SOCKET LEVELERS WITH RUBBER PAD

Steel	Stainless	Load	Thread	Hex	A	B	C	F
IL7-M6B-T-P	IL7-M6BS-T-P	100	M6x1	1/2	1	3/16	5/8	1/4
IL7-M8B-T-P	IL7-M8BS-T-P	500	M8x1.25	1/2	1	3/8	3/4	1/4
IL7-M10B-T-P	IL7-M10BS-T-P	1000	M10x1.50	1/2	1	1/2	7/8	3/8
IL7-M12B-T-P	IL7-M12BS-T-P	2000	M12x1.75	5/8	1	1/2	7/8	3/8
IL7-M16B-T-P	IL7-M16BS-T-P	3000	M16x2.00	3/4	1	5/8	1	1/2
IL7-M20B-T-P	IL7-M20BS-T-P	3000	M20x3.00	1	1	3/4	1-1/8	5/8
IL8-M6B-T-P	IL8-M6BS-T-P	100	M6x1	1/2	1-1/2	3/16	5/8	1/4
IL8-M8B-T-P	IL8-M8BS-T-P	500	M8x1.25	1/2	1-1/2	3/8	3/4	1/4
IL8-M10B-T-P	IL8-M10BS-T-P	1000	M10x1.50	1/2	1-1/2	1/2	7/8	3/8
IL8-M12B-T-P	IL8-M12BS-T-P	2000	M12x1.75	5/8	1-1/2	1/2	7/8	3/8
IL8-M16B-T-P	IL8-M16BS-T-P	3000	M16x2.00	3/4	1-1/2	5/8	1	1/2
IL8-M20B-T-P	IL8-M20BS-T-P	3000	M20x3.00	1	1-1/2	3/4	1-1/8	5/8
IL7A-M6B-T-P	IL7A-M6BS-T-P	100	M6x1	1/2	2	3/16	5/8	1/4
IL7A-M8B-T-P	IL7A-M8BS-T-P	500	M8x1.25	1/2	2	3/8	3/4	1/4
IL7A-M10B-T-P	IL7A-M10BS-T-P	1000	M10x1.50	1/2	2	1/2	7/8	3/8
IL7A-M12B-T-P	IL7A-M12BS-T-P	2000	M12x1.75	5/8	2	1/2	7/8	3/8
IL7A-M16B-T-P	IL7A-M16BS-T-P	3000	M16x2.00	3/4	2	5/8	1	1/2
IL7A-M20B-T-P	IL7A-M20BS-T-P	3000	M20x3.00	1	2	3/4	1-1/8	5/8
IL7M-M6B-T-P	IL7M-M6BS-T-P	100	M6x1	1/2	2-1/2	3/16	5/8	1/4
IL7M-M8B-T-P	IL7M-M8BS-T-P	500	M8x1.25	1/2	2-1/2	3/8	3/4	1/4
IL7M-M10B-T-P	IL7M-M10BS-T-P	1000	M10x1.50	1/2	2-1/2	1/2	7/8	3/8
IL7M-M12B-T-P	IL7M-M12BS-T-P	2000	M12x1.75	5/8	2-1/2	1/2	7/8	3/8
IL7M-M16B-T-P	IL7M-M16BS-T-P	3000	M16x2.00	3/4	2-1/2	5/8	1	1/2
IL7M-M20B-T-P	IL7M-M20BS-T-P	3000	M20x3.00	1	2-1/2	3/4	1-1/8	5/8
IL8A-M6B-T-P	IL8A-M6BS-T-P	100	M6x1.0	1/2	3	3/16	5/8	1/4
IL8A-M8B-T-P	IL8A-M8BS-T-P	500	M8x1.25	1/2	3	3/8	3/4	1/4
IL8A-M10B-T-P	IL8A-M10BS-T-P	1000	M10x1.50	1/2	3	1/2	7/8	3/8
IL8A-M12B-T-P	IL8A-M12BS-T-P	2000	M12x1.75	5/8	3	1/2	7/8	3/8
IL8A-M16B-T-P	IL8A-M16BS-T-P	3000	M16x2.00	3/4	3	5/8	1	1/2
IL8A-M20B-T-P	IL8A-M20BS-T-P	3000	M20x3.00	1	3	3/4	1-1/8	5/8



METRIC POLY BASE FIXED STUD LEVELING GLIDES

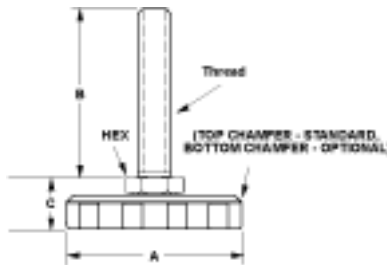
The IEC *Metric Poly Base Steel and Stainless Steel Fixed Stud Glide* offers metric threads and is ideal for medium-duty load requirements. The stud will tilt several degrees under load to adjust for unlevel surfaces. This glide is cost-effective for applications not requiring a swivel base. Zinc plated steel stud and black polypropylene base. Some sizes available with Top-A-Just™ top broached hex, allen drive, (-BR) and top-end external hex (-HX).



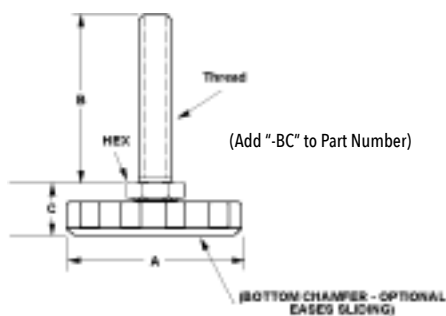
Top-A-Just™ (-BR)



Top-A-Just™ (-HX)



Optional bottom chamfer (reverse assembly) – with 90° top edge



Steel	SS	Load	Thread	Hex	A	B(mm)	C
Metric Poly Base Steel and Stainless Steel Fixed Stud Glides							
IL7-M6Bx25	IL7-M6BSx25	100	M6	1/2	1	25	11/16
IL7-M6Bx38	IL7-M6BSx38	100	M6	1/2	1	38	11/16
IL7-M6Bx51	IL7-M6BSx51	100	M6	1/2	1	51	11/16
IL7-M8Bx38	IL7-M8BSx38	500	M8	1/2	1	38	11/16
IL7-M8Bx51	IL7-M8BSx51	500	M8	1/2	1	51	11/16
IL7-M8Bx62	IL7-M8BSx62	500	M8	1/2	1	62	11/16
IL7-M10Bx38	IL7-M10BSx38	1000	M10	1/2	1	38	11/16
IL7-M10Bx51	IL7-M10BSx51	1000	M10	1/2	1	51	11/16
IL7-M10Bx62	IL7-M10BSx62	1000	M10	1/2	1	62	11/16
IL7-M12Bx38	IL7-M12BSx38	2000	M12	1/2	1	38	11/16
IL7-M12Bx51	IL7-M12BSx51	2000	M12	1/2	1	51	11/16
IL7-M12Bx75	IL7-M12BSx75	2000	M12	1/2	1	75	11/16
IL7-M12Bx102	IL7-M12BSx102	2000	M12	1/2	1	102	11/16
IL7-M16Bx51	IL7-M16BSx51	2500	M16	5/8	1	51	11/16
IL7-M16Bx90-BR	IL7-M16BSx90-BR	2500	M16	5/8	1	90	11/16
IL7-M16Bx102	IL7-M16BSx102	2500	M16	5/8	1	102	11/16
IL7-M16Bx115-BR	IL7-M16BSx115-BR	2500	M16	5/8	1	115	11/16
IL8-M6Bx25	IL8-M6BSx25	100	M6	1/2	1-1/2	25	11/16
IL8-M6Bx38	IL8-M6BSx38	100	M6	1/2	1-1/2	38	11/16
IL8-M6Bx51	IL8-M6BSx51	100	M6	1/2	1-1/2	51	11/16
IL8-M8Bx38	IL8-M8BSx38	500	M8	1/2	1-1/2	38	11/16
IL8-M8Bx51	IL8-M8BSx51	500	M8	1/2	1-1/2	51	11/16
IL8-M8Bx62	IL8-M8BSx62	500	M8	1/2	1-1/2	62	11/16
IL8-M10Bx38	IL8-M10BSx38S	1000	M10	1/2	1-1/2	38	11/16
IL8-M10Bx51	IL8-M10BSx51S	1000	M10	1/2	1-1/2	51	11/16
IL8-M10Bx62	IL8-M10BSx62S	1000	M10	1/2	1-1/2	62	11/16
IL8-M12Bx38	IL8-M12BSx38	2000	M12	1/2	1-1/2	38	11/16
IL8-M12Bx51	IL8-M12BSx51	2000	M12	1/2	1-1/2	51	11/16
IL8-M12Bx75	IL8-M12BSx75	2000	M12	1/2	1-1/2	75	11/16
IL8-M12Bx102	IL8-M12BSx102	2000	M12	1/2	1-1/2	102	11/16
IL8-M16Bx51	IL8-M16BSx51	2500	M16	5/8	1-1/2	51	11/16
IL8-M16Bx90-BR	IL8-M16BSx90-BR	2500	M16	5/8	1-1/2	90	11/16
IL8-M16Bx102	IL8-M16BSx102	2500	M16	5/8	1-1/2	102	11/16
IL8-M16Bx115-BR	IL8-M16BSx115-BR	2500	M16	5/8	1-1/2	115	11/16
IL7A-M6Bx25	IL7A-M6BSx25	100	M6	1/2	2	25	11/16
IL7A-M6Bx38	IL7A-M6BSx38	100	M6	1/2	2	38	11/16
IL7A-M6Bx51	IL7A-M6BSx51	100	M6	1/2	2	51	11/16
IL7A-M8Bx38	IL7A-M8BSx38	500	M8	1/2	2	38	11/16
IL7A-M8Bx51	IL7A-M8BSx51	500	M8	1/2	2	51	11/16
IL7A-M8Bx62	IL7A-M8BSx62	500	M8	1/2	2	62	11/16
IL7A-M10Bx38	IL7A-M10BSx38	1000	M10	1/2	2	38	11/16
IL7A-M10Bx51	IL7A-M10BSx51	1000	M10	1/2	2	51	11/16
IL7A-M10Bx62	IL7A-M10BSx62	1000	M10	1/2	2	62	11/16
IL7A-M12Bx38	IL7A-M12BSx38	2000	M12	1/2	2	38	11/16
IL7A-M12Bx51	IL7A-M12BSx51	2000	M12	1/2	2	51	11/16
IL7A-M12Bx75	IL7A-M12BSx75	2000	M12	1/2	2	75	11/16
IL7A-M12Bx102	IL7A-M12BSx102	2000	M12	1/2	2	102	11/16
IL7A-M16Bx51	IL7A-M16BSx51	2500	M16	5/8	2	51	11/16
IL7A-M16Bx90-BR	IL7A-M16BSx90-BR	2500	M16	5/8	2	90	11/16
IL7A-M16Bx102	IL7A-M16BSx102	2500	M16	5/8	2	102	11/16
IL7A-M16Bx115-BR	IL7A-M16BSx115-BR	2500	M16	5/8	2	115	11/16



MEDIUM-DUTY LEVELERS

POLY FIXED - METRIC

KNOB STYLE GLIDES

METRIC POLY BASE FIXED STUD LEVELING GLIDES

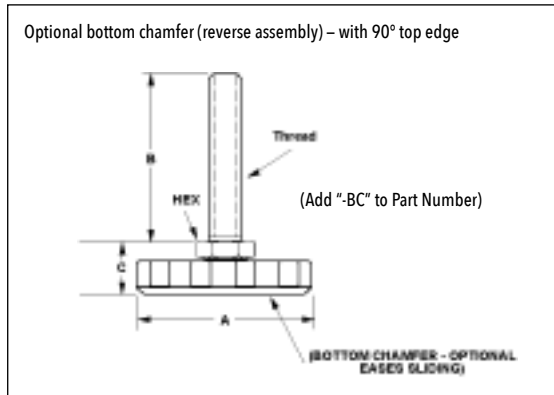
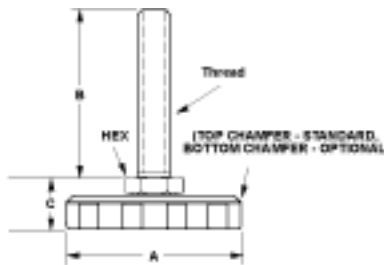
The IEC Metric Poly Base Steel and Stainless Steel Fixed Stud Glide offers metric threads and is ideal for medium-duty load requirements. The stud will tilt several degrees under load to adjust for unlevel surfaces. This glide is cost-effective for applications not requiring a swivel base. Zinc plated steel stud and black polypropylene base. Some sizes available with Top-A-Just™ top broached hex, allen drive, (-BR) and top-end external hex (-HX).



Top-A-Just™(-BR)



Top-A-Just™(-HX)



Steel	SS	Load	Thread	Hex	A	B(mm)	C
Metric Poly Base Steel and Stainless Steel Fixed Stud Glides							
IL7M-M6Bx25	IL7M-M6BSx25	100	M6	1/2	2-1/2	25	11/16
IL7M-M6Bx38	IL7M-M6BSx38	100	M6	1/2	2-1/2	38	11/16
IL7M-M6Bx51	IL7M-M6BSx51	100	M6	1/2	2-1/2	51	11/16
IL7M-M8Bx38	IL7M-M8BSx38	500	M8	1/2	2-1/2	38	11/16
IL7M-M8Bx51	IL7M-M8BSx51	500	M8	1/2	2-1/2	51	11/16
IL7M-M8Bx62	IL7M-M8BSx62	500	M8	1/2	2-1/2	62	11/16
IL7M-M10Bx38	IL7M-M10BSx38	1000	M10	1/2	2-1/2	38	11/16
IL7M-M10Bx51	IL7M-M10BSx51	1000	M10	1/2	2-1/2	51	11/16
IL7M-M10Bx62	IL7M-M10BSx62	1000	M10	1/2	2-1/2	62	11/16
IL7M-M12Bx38	IL7M-M12BSx38	2000	M12	1/2	2-1/2	38	11/16
IL7M-M12Bx51	IL7M-M12BSx51	2000	M12	1/2	2-1/2	51	11/16
IL7M-M12Bx75	IL7M-M12BSx75	2000	M12	1/2	2-1/2	75	11/16
IL7M-M12Bx102	IL7M-M12BSx102	2000	M12	1/2	2-1/2	102	11/16
IL7M-M16Bx51	IL7M-M16BSx51	2500	M16	5/8	2-1/2	51	11/16
IL7M-M16Bx90-BR	IL7M-M16BSx90-BR	2500	M16	5/8	2-1/2	90	11/16
IL7M-M16Bx102	IL7M-M16BSx102	2500	M16	5/8	2-1/2	102	11/16
IL7M-M16Bx115-BR	IL7M-M16BSx115-BR	2500	M16	5/8	2-1/2	115	11/16
IL8A-M6Bx25	IL8A-M6BSx25	100	M6	1/2	3	25	11/16
IL8A-M6Bx38	IL8A-M6BSx38	100	M6	1/2	3	38	11/16
IL8A-M6Bx51	IL8A-M6BSx51	100	M6	1/2	3	51	11/16
IL8A-M8Bx38	IL8A-M8BSx38	500	M8	1/2	3	38	11/16
IL8A-M8Bx51	IL8A-M8BSx51	500	M8	1/2	3	51	11/16
IL8A-M8Bx62	IL8A-M8BSx62	500	M8	1/2	3	62	11/16
IL8A-M10Bx38	IL8A-M10BSx38	1000	M10	1/2	3	38	11/16
IL8A-M10Bx51	IL8A-M10BSx51	1000	M10	1/2	3	51	11/16
IL8A-M10Bx62	IL8A-M10BSx62	1000	M10	1/2	3	62	11/16
IL8A-M12Bx38	IL8A-M12BSx38	2000	M12	1/2	3	38	11/16
IL8A-M12Bx51	IL8A-M12BSx51	2000	M12	1/2	3	51	11/16
IL8A-M12Bx75	IL8A-M12BSx75	2000	M12	1/2	3	75	11/16
IL8A-M12Bx102	IL8A-M12BSx102	2000	M12	1/2	3	102	11/16
IL8A-M16Bx51	IL8A-M16BSx51	2500	M16	5/8	3	51	11/16
IL8A-M16Bx90-BR	IL8A-M16BSx90-BR	2500	M16	5/8	3	90	11/16
IL8A-M16Bx102	IL8A-M16BSx102	2500	M16	5/8	3	102	11/16
IL8A-M16Bx115-BR	IL8A-M16BSx115-BR	2500	M16	5/8	3	115	11/16

KNOB STYLE SOCKET TYPE GLIDES (LEVELERS/KNOBS)

These low-profile polypropylene levelers/knobs are designed for use with socket head allen bolts or threaded rod of various lengths. They are available with three different female thread types: brass insert (-BI), steel hex nut (-HN), or threads molded directly into the polypropylene (-MT). The height of all base sizes is 3/8" thick. The PVC base is a flexible, non-skid and non-marring, rubber-like material.



PN (brass)	PN (hex nut)	PN(molded)	Thread	Base Dia.	Load (lbs.)
IL83-4B-BI	IL83-4B-HN	IL83-4B-MT	1/4-20	1-1/2	100
IL83-5B-BI	IL83-5B-HN	IL83-5B-MT	5/16-18	1-1/2	250
IL83-6B-BI	IL83-6B-HN	IL83-6B-MT	3/8-16	1-1/2	250
IL85-4B-BI	IL85-4B-HN	IL85-4B-MT	1/4-20	2	100
IL85-5B-BI	IL85-5B-HN	IL85-5B-MT	5/16-18	2	250
IL85-6B-BI	IL85-6B-HN	IL85-6B-MT	3/8-16	2	250
IL87-4B-BI	IL87-4B-HN	IL87-4B-MT	1/4-20	2-1/2	100
IL87-5B-BI	IL87-5B-HN	IL87-5B-MT	5/16-18	2-1/2	250
IL87-6B-BI	IL87-6B-HN	IL87-6B-MT	3/8-16	2-1/2	250
IL89-4B-BI	IL89-4B-HN	IL89-4B-MT	1/4-20	3	100
IL89-5B-BI	IL89-5B-HN	IL89-5B-MT	5/16-18	3	250
IL89-6B-BI	IL89-6B-HN	IL89-6B-MT	3/8-16	3	250
PN (PVC)	Thread	Base Dia.	Load (lbs.)		
IL83-4B-HN-PVC	1/4-20	1-1/2	75		
IL83-5B-HN-PVC	5/16-18	1-1/2	75		
IL83-6B-HN-PVC	3/8-16	1-1/2	75		