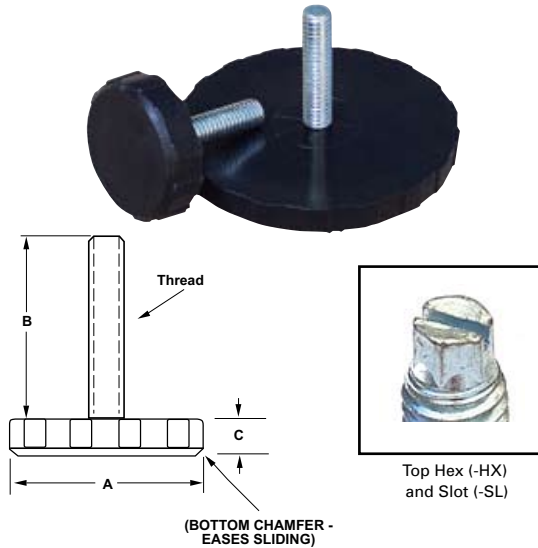




Low Profile Knobs

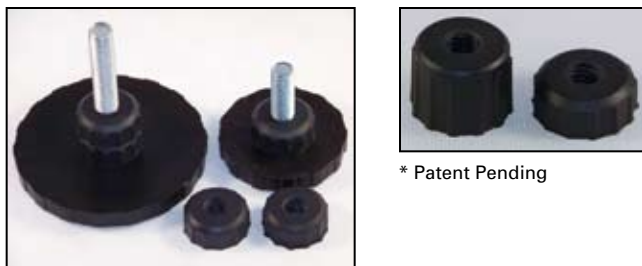
These *low profile shoulderless knobs* have a black polypropylene base and grip ridges on the outside diameter. The threaded studs are available in zinc-plated steel or stainless steel. Other colors also available: clear, white, brown, blue, red, gray, etc.



Many colors available as custom option.

Threaded Nylon Knob Hubs/Sleeves

These *glass-filled black nylon threaded knob hubs* can be used for many applications; as an adjustable height shoulder on a knob or leveler or stacked to create a sleeve to hide the threads of a leveler or knob. This will also help stabilize loads positioned near the top threads of long studs. They can also be used as a "thru-hole" knob or a locking nut.



* Patent Pending

BLACK NYLON THREADED KNOB HUBS

P/N	THREAD	DIA.	HEIGHT
IL80-HUB-4-THRU	1/4-20	1"	3/8
IL80-HUB-5-THRU	5/16-18	1"	3/8
IL80-HUB-6-THRU	3/8-16	1"	3/8
IL80A-HUB-4-THRU	1/4-20	1"	3/4
IL80A-HUB-5-THRU	5/16-18	1"	3/4
IL80A-HUB-6-THRU	3/8-16	1"	3/4

Steel	SS	Load	Thread	A	B	C
Steel and Stainless Steel Knob Style Glides						
IL82-4Bx1/4	IL82-4BSx1/4	100	1/4-20	1-1/2	1/4	3/8
IL82-4Bx1/2	IL82-4BSx1/2	100	1/4-20	1-1/2	1/2	3/8
IL82-4Bx1/2-HX-SL		100	1/4-20	1-1/2	1/2	3/8
IL82-4Bx3/4	IL82-4BSx3/4	100	1/4-20	1-1/2	3/4	3/8
IL82-4Bx3/4-HX-SL		100	1/4-20	1-1/2	3/4	3/8
IL82-4Bx1	IL82-4BSx1	100	1/4-20	1-1/2	1	3/8
IL82-4Bx1-HX-SL		100	1/4-20	1-1/2	1	3/8
IL82-4Bx125	IL82-4BSx125	100	1/4-20	1-1/2	1-1/4	3/8
IL82-4Bx125-HX-SL		100	1/4-20	1-1/2	1-1/4	3/8
IL82-4Bx150	IL82-4BSx150	100	1/4-20	1-1/2	1-1/2	3/8
IL82-4Bx175	IL82-4BSx175	100	1/4-20	1-1/2	1-3/4	3/8
IL82-4Bx175-HX-SL		100	1/4-20	1-1/2	1-3/4	3/8
IL82-4Bx2	IL82-4BSx2	100	1/4-20	1-1/2	2	3/8
IL82-4Bx275	IL82-4BSx275	100	1/4-20	1-1/2	2-3/4	3/8
IL82-5Bx1/4	IL82-5BSx1/4	500	5/16-18	1-1/2	1/4	3/8
IL82-5Bx1/2	IL82-5BSx1/2	500	5/16-18	1-1/2	1/2	3/8
IL82-5Bx1/2-HX-SL		500	5/16-18	1-1/2	1/2	3/8
IL82-5Bx3/4	IL82-5BSx3/4	500	5/16-18	1-1/2	3/4	3/8
IL82-5Bx3/4-HX-SL		500	5/16-18	1-1/2	3/4	3/8
IL82-5Bx1	IL82-5BSx1	500	5/16-18	1-1/2	1	3/8
IL82-5Bx1-HX-SL		500	5/16-18	1-1/2	1	3/8
IL82-5Bx125	IL82-5BSx125	500	5/16-18	1-1/2	1-1/4	3/8
IL82-5Bx175	IL82-5BSx175	500	5/16-18	1-1/2	1-3/4	3/8
IL82-5Bx175-HX-SL		500	5/16-18	1-1/2	1-3/4	3/8
IL82-5Bx225-HX-SL		500	5/16-18	1-1/2	2-1/4	3/8
IL82-6Bx1/4	IL82-6BSx1/4	1000	3/8-16	1-1/2	1/4	3/8
IL82-6Bx1/2	IL82-6BSx1/2	1000	3/8-16	1-1/2	1/2	3/8
IL82-6Bx1/2-HX-SL		1000	3/8-16	1-1/2	1/2	3/8
IL82-6Bx3/4-HX-SL		1000	3/8-16	1-1/2	3/4	3/8
IL82-6Bx1	IL82-6BSx1	1000	3/8-16	1-1/2	1	3/8
IL82-6Bx1-HX-SL		1000	3/8-16	1-1/2	1	3/8
IL82-6Bx125	IL82-6BSx125	1000	3/8-16	1-1/2	1-1/4	3/8
IL82-6Bx125-HX-SL		1000	3/8-16	1-1/2	1-1/4	3/8
IL82-6Bx150	IL82-6BSx150	1000	3/8-16	1-1/2	1-1/2	3/8
IL82-6Bx175-HX-SL		1000	3/8-16	1-1/2	1-3/4	3/8
IL82-6Bx175	IL82-6BSx175	1000	3/8-16	1-1/2	1-3/4	3/8
IL82-6Bx238	IL82-6BSx238	1000	3/8-16	1-1/2	2-3/8	3/8
IL82-6Bx238-SL		1000	3/8-16	1-1/2	2-3/8	3/8
IL82-6Bx238-HX-SL		1000	3/8-16	1-1/2	2-3/8	3/8
IL82-6Bx275-HX-SL		1000	3/8-16	1-1/2	2-3/4	3/8
IL82-6Bx338-HX-SL		1000	3/8-16	1-1/2	3-3/8	3/8
IL82-7Bx3/4	IL82-7BSx3/4	1000	1/2-13	1-1/2	3/4	3/8
IL82-7Bx1	IL82-7BSx1	1000	1/2-13	1-1/2	1	3/8
IL82-7Bx125	IL82-7BSx125	1000	1/2-13	1-1/2	1-1/4	3/8
IL82-7Bx150	IL82-7BSx150	1000	1/2-13	1-1/2	1-1/2	3/8
IL82-7Bx238		1000	1/2-13	1-1/2	2-3/8	3/8
IL84-4Bx1/4	IL84-4BSx1/4	100	1/4-20	2	1/4	3/8
IL84-4Bx1/2	IL84-4BSx1/2	100	1/4-20	2	1/2	3/8
IL84-4Bx1/2-HX-SL		100	1/4-20	2	1/2	3/8
IL84-4Bx3/4	IL84-4BSx3/4	100	1/4-20	2	3/4	3/8
IL84-4Bx3/4-HX-SL		100	1/4-20	2	3/4	3/8
IL84-4Bx1	IL84-4BSx1	100	1/4-20	2	1	3/8
IL84-4Bx1-HX-SL		100	1/4-20	2	1	3/8
IL84-4Bx125	IL84-4BSx125	100	1/4-20	2	1-1/4	3/8
IL84-4Bx125-HX-SL		100	1/4-20	2	1-1/4	3/8
IL84-4Bx150	IL84-4BSx150	100	1/4-20	2	1-1/2	3/8
IL84-4Bx175	IL84-4BSx175	100	1/4-20	2	1-3/4	3/8
IL84-4Bx175-HX-SL		100	1/4-20	2	1-3/4	3/8
IL84-4Bx2	IL84-4BSx2	100	1/4-20	2	2	3/8
IL84-4Bx275	IL84-4BSx275	100	1/4-20	2	2-3/4	3/8
IL84-5Bx1/4	IL84-5BSx1/4	500	5/16-18	2	1/4	3/8
IL84-5Bx1/2	IL84-5BSx1/2	500	5/16-18	2	1/2	3/8
IL84-5Bx1/2-HX-SL		500	5/16-18	2	1/2	3/8
IL84-5Bx3/4	IL84-5BSx3/4	500	5/16-18	2	3/4	3/8
IL84-5Bx3/4-HX-SL		500	5/16-18	2	3/4	3/8
IL84-5Bx1	IL84-5BSx1	500	5/16-18	2	1	3/8
IL84-5Bx1-HX-SL		500	5/16-18	2	1	3/8
IL84-5Bx125-HX-SL		500	5/16-18	2	1-1/4	3/8
IL84-5Bx125	IL84-5BSx125	500	5/16-18	2	1-1/4	3/8
IL84-5Bx175	IL84-5BSx175	500	5/16-18	2	1-3/4	3/8
IL84-5Bx175-HX-SL		500	5/16-18	2	1-3/4	3/8
IL84-5Bx225-HX-SL		500	5/16-18	2	2-1/4	3/8



INTERNATIONAL EQUIPMENT COMPONENTS, INC.

Phone: **562.597.4533** eMail: **sales@iec-corp.com**

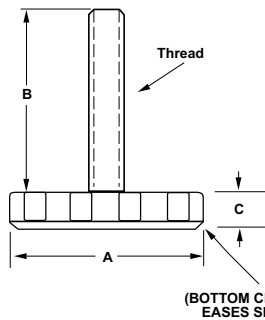
Web: **www.levelingmounts.com & www.iec-corp.com**

KNOBS

LOW PROFILE KNOBS

Low Profile Knobs

These *low profile shoulderless knobs* have a black polypropylene base and grip ridges on the outside diameter. The threaded studs are available in zinc-plated steel or stainless steel. Other colors are also available: clear, white, brown, blue, red, gray, etc.



Top Hex (-HX) and Slot (-SL)



Many colors available as custom option.

Threaded Nylon Knob Hubs/Sleeves

These *glass-filled black nylon threaded knob hubs* can be used for many applications; as an adjustable height shoulder on a knob or leveler or stacked to create a sleeve to hide the threads of a leveler or knob. This will also help stabilize loads positioned near the top threads of long studs. They can also be used as a "thru-hole" knob or a locking nut.



* Patent Pending

BLACK NYLON THREADED KNOB HUBS

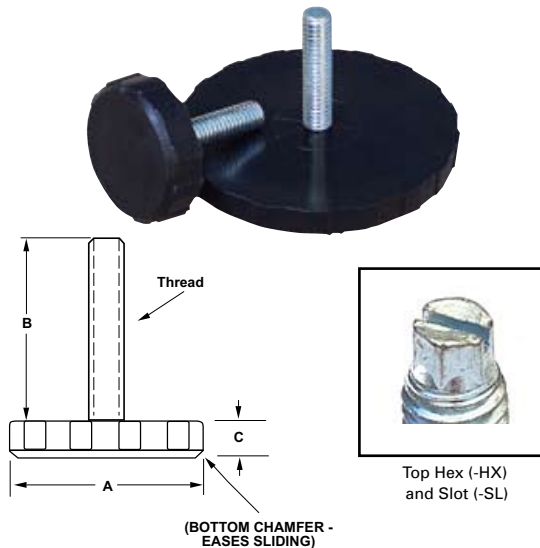
P/N	THREAD	DIA.	HEIGHT
IL80-HUB-4-THRU	1/4-20	1"	3/8
IL80-HUB-5-THRU	5/16-18	1"	3/8
IL80-HUB-6-THRU	3/8-16	1"	3/8
IL80A-HUB-4-THRU	1/4-20	1"	3/4
IL80A-HUB-5-THRU	5/16-18	1"	3/4
IL80A-HUB-6-THRU	3/8-16	1"	3/4

Steel	SS	Load	Thread	A	B	C
Steel and Stainless Steel Knob Style Glides						
IL84-6Bx1/4	IL84-6BSx1/4	1000	3/8-16	2	1/4	3/8
IL84-6Bx1/2	IL84-6BSx1/2	1000	3/8-16	2	1/2	3/8
IL84-6Bx1/2-HX-SL		1000	3/8-16	2	1/2	3/8
IL84-6Bx3/4-HX-SL		1000	3/8-16	2	3/4	3/8
IL84-6Bx1	IL84-6BSx1	1000	3/8-16	2	1	3/8
IL84-6Bx1-HX-SL		1000	3/8-16	2	1	3/8
IL84-6Bx125	IL84-6BSx125	1000	3/8-16	2	1-1/4	3/8
IL84-6Bx125-HX-SL		1000	3/8-16	2	1-1/4	3/8
IL84-6Bx150	IL84-6BSx150	1000	3/8-16	2	1-1/2	3/8
IL84-6Bx175-HX-SL		1000	3/8-16	2	1-3/4	3/8
IL84-6Bx175	IL84-6BSx175	1000	3/8-16	2	1-3/4	3/8
IL84-6Bx238	IL84-6BSx238	1000	3/8-16	2	2-3/8	3/8
IL84-6Bx238-SL		1000	3/8-16	2	2-3/8	3/8
IL84-6Bx238-HX-SL		1000	3/8-16	2	2-3/8	3/8
IL84-6Bx275-HX-SL		1000	3/8-16	2	2-3/4	3/8
IL84-6Bx338-HX-SL		1000	3/8-16	2	3-3/8	3/8
IL84-7Bx3/4	IL84-7BSx3/4	1000	1/2-13	2	3/4	3/8
IL84-7Bx1	IL84-7BSx1	1000	1/2-13	2	1	3/8
IL84-7Bx125	IL84-7BSx125	1000	1/2-13	2	1-1/4	3/8
IL84-7Bx150	IL84-7BSx150	1000	1/2-13	2	1-1/2	3/8
IL84-7Bx238		1000	1/2-13	2	2-3/8	3/8
IL86-4Bx1/4	IL86-4BSx1/4	100	1/4-20	2-1/2	1/4	3/8
IL86-4Bx1/2	IL86-4BSx1/2	100	1/4-20	2-1/2	1/2	3/8
IL86-4Bx1/2-HX-SL		100	1/4-20	2-1/2	1/2	3/8
IL86-4Bx3/4	IL86-4BSx3/4	100	1/4-20	2-1/2	3/4	3/8
IL86-4Bx3/4-HX-SL		100	1/4-20	2-1/2	3/4	3/8
IL86-4Bx1	IL86-4BSx1	100	1/4-20	2-1/2	1	3/8
IL86-4Bx1-HX-SL		100	1/4-20	2-1/2	1	3/8
IL86-4Bx125	IL86-4BSx125	100	1/4-20	2-1/2	1-1/4	3/8
IL86-4Bx125-HX-SL		100	1/4-20	2-1/2	1-1/4	3/8
IL86-4Bx150	IL86-4BSx150	100	1/4-20	2-1/2	1-1/2	3/8
IL86-4Bx175	IL86-4BSx175	100	1/4-20	2-1/2	1-3/4	3/8
IL86-4Bx175-HX-SL		100	1/4-20	2-1/2	1-3/4	3/8
IL86-4Bx2	IL86-4BSx2	100	1/4-20	2-1/2	2	3/8
IL86-4Bx275	IL86-4BSx275	100	1/4-20	2-1/2	2-3/4	3/8
IL86-5Bx1/4	IL86-5BSx1/4	500	5/16-18	2-1/2	1/4	3/8
IL86-5Bx1/2	IL86-5BSx1/2	500	5/16-18	2-1/2	1/2	3/8
IL86-5Bx1/2-HX-SL		500	5/16-18	2-1/2	1/2	3/8
IL86-5Bx3/4	IL86-5BSx3/4	500	5/16-18	2-1/2	3/4	3/8
IL86-5Bx3/4-HX-SL		500	5/16-18	2-1/2	3/4	3/8
IL86-5Bx1	IL86-5BSx1	500	5/16-18	2-1/2	1	3/8
IL86-5Bx1-HX-SL		500	5/16-18	2-1/2	1	3/8
IL86-5Bx125-HX-SL		500	5/16-18	2-1/2	1-1/4	3/8
IL86-5Bx125	IL86-5BSx125	500	5/16-18	2-1/2	1-1/4	3/8
IL86-5Bx175	IL86-5BSx175	500	5/16-18	2-1/2	1-3/4	3/8
IL86-5Bx175-HX-SL		500	5/16-18	2-1/2	1-3/4	3/8
IL86-5Bx225-HX-SL		500	5/16-18	2-1/2	2-1/4	3/8
IL86-6Bx1/4	IL86-6BSx1/4	1000	3/8-16	2-1/2	1/4	3/8
IL86-6Bx1/2	IL86-6BSx1/2	1000	3/8-16	2-1/2	1/2	3/8
IL86-6Bx1/2-HX-SL		1000	3/8-16	2-1/2	1/2	3/8
IL86-6Bx3/4-HX-SL		1000	3/8-16	2-1/2	3/4	3/8
IL86-6Bx1	IL86-6BSx1	1000	3/8-16	2-1/2	1	3/8
IL86-6Bx1-HX-SL		1000	3/8-16	2-1/2	1	3/8
IL86-6Bx125	IL86-6BSx125	1000	3/8-16	2-1/2	1-1/4	3/8
IL86-6Bx125-HX-SL		1000	3/8-16	2-1/2	1-1/4	3/8
IL86-6Bx150	IL86-6BSx150	1000	3/8-16	2-1/2	1-1/2	3/8
IL86-6Bx175-HX-SL		1000	3/8-16	2-1/2	1-3/4	3/8
IL86-6Bx175	IL86-6BSx175	1000	3/8-16	2-1/2	1-3/4	3/8
IL86-6Bx238	IL86-6BSx238	1000	3/8-16	2-1/2	2-3/8	3/8
IL86-6Bx238-SL		1000	3/8-16	2-1/2	2-3/8	3/8
IL86-6Bx238-HX-SL		1000	3/8-16	2-1/2	2-3/8	3/8
IL86-6Bx275-HX-SL		1000	3/8-16	2-1/2	2-3/4	3/8
IL86-6Bx338-HX-SL		1000	3/8-16	2-1/2	3-3/8	3/8
IL86-7Bx3/4	IL86-7BSx3/4	1000	1/2-13	2-1/2	3/4	3/8
IL86-7Bx1	IL86-7BSx1	1000	1/2-13	2-1/2	1	3/8
IL86-7Bx125	IL86-7BSx125	1000	1/2-13	2-1/2	1-1/4	3/8
IL86-7Bx150	IL86-7BSx150	1000	1/2-13	2-1/2	1-1/2	3/8
IL86-7Bx238		1000	1/2-13	2-1/2	2-3/8	3/8



Low Profile Knobs

These *low profile shoulderless knobs* have a black polypropylene base and grip ridges on the outside diameter. The threaded studs are available in zinc-plated steel or stainless steel. Other colors also available: clear, white, brown, blue, red, gray, etc.



Many colors available as custom option.

Steel	SS	Load	Thread	A	B	C
Steel and Stainless Steel Knob Style Glides						
IL88-4Bx1/4	IL88-4BSx1/4	100	1/4-20	3	1/4	3/8
IL88-4Bx1/2	IL88-4BSx1/2	100	1/4-20	3	1/2	3/8
IL88-4Bx1/2-HX-SL		100	1/4-20	3	1/2	3/8
IL88-4Bx3/4	IL88-4BSx3/4	100	1/4-20	3	3/4	3/8
IL88-4Bx3/4-HX-SL		100	1/4-20	3	3/4	3/8
IL88-4Bx1	IL88-4BSx1	100	1/4-20	3	1	3/8
IL88-4Bx1-HX-SL		100	1/4-20	3	1	3/8
IL88-4Bx125	IL88-4BSx125	100	1/4-20	3	1-1/4	3/8
IL88-4Bx125-HX-SL		100	1/4-20	3	1-1/4	3/8
IL88-4Bx150	IL88-4BSx150	100	1/4-20	3	1-1/2	3/8
IL88-4Bx175	IL88-4BSx175	100	1/4-20	3	1-3/4	3/8
IL88-4Bx175-HX-SL		100	1/4-20	3	1-3/4	3/8
IL88-4Bx2	IL88-4BSx2	100	1/4-20	3	2	3/8
IL88-4Bx275	IL88-4BSx275	100	1/4-20	3	2-3/4	3/8
IL88-5Bx1/4	IL88-5BSx1/4	500	5/16-18	3	1/4	3/8
IL88-5Bx1/2	IL88-5BSx1/2	500	5/16-18	3	1/2	3/8
IL88-5Bx1/2-HX-SL		500	5/16-18	3	1/2	3/8
IL88-5Bx3/4	IL88-5BSx3/4	500	5/16-18	3	3/4	3/8
IL88-5Bx3/4-HX-SL		500	5/16-18	3	3/4	3/8
IL88-5Bx1	IL88-5BSx1	500	5/16-18	3	1	3/8
IL88-5Bx1-HX-SL		500	5/16-18	3	1	3/8
IL88-5Bx125	IL88-5BSx125	500	5/16-18	3	1-1/4	3/8
IL88-5Bx125-HX-SL		500	5/16-18	3	1-1/4	3/8
IL88-5Bx175	IL88-5BSx175	500	5/16-18	3	1-3/4	3/8
IL88-5Bx175-HX-SL		500	5/16-18	3	1-3/4	3/8
IL88-5Bx225-HX-SL		500	5/16-18	3	2-1/4	3/8
IL88-6Bx1/4	IL88-6BSx1/4	1000	3/8-16	3	1/4	3/8
IL88-6Bx1/2	IL88-6BSx1/2	1000	3/8-16	3	1/2	3/8
IL88-6Bx1/2-HX-SL		1000	3/8-16	3	1/2	3/8
IL88-6Bx3/4-HX-SL		1000	3/8-16	3	3/4	3/8
IL88-6Bx1	IL88-6BSx1	1000	3/8-16	3	1	3/8
IL88-6Bx1-HX-SL		1000	3/8-16	3	1	3/8
IL88-6Bx125	IL88-6BSx125	1000	3/8-16	3	1-1/4	3/8
IL88-6Bx125-HX-SL		1000	3/8-16	3	1-1/4	3/8
IL88-6Bx150	IL88-6BSx150	1000	3/8-16	3	1-1/2	3/8
IL88-6Bx175-HX-SL		1000	3/8-16	3	1-3/4	3/8
IL88-6Bx175	IL88-6BSx175	1000	3/8-16	3	1-3/4	3/8
IL88-6Bx238	IL88-6BSx238	1000	3/8-16	3	2-3/8	3/8
IL88-6Bx238-SL		1000	3/8-16	3	2-3/8	3/8
IL88-6Bx238-HX-SL		1000	3/8-16	3	2-3/8	3/8
IL88-6Bx275-HX-SL		1000	3/8-16	3	2-3/4	3/8
IL88-6Bx338-HX-SL		1000	3/8-16	3	3-3/8	3/8
IL88-7Bx3/4	IL88-7BSx3/4	1000	1/2-13	3	3/4	3/8
IL88-7Bx1	IL88-7BSx1	1000	1/2-13	3	1	3/8
IL88-7Bx125	IL88-7BSx125	1000	1/2-13	3	1-1/4	3/8
IL88-7Bx150	IL88-7BSx150	1000	1/2-13	3	1-1/2	3/8
IL88-7Bx238		1000	1/2-13	3	2-3/8	3/8

Low Profile Socket Type Knobs

These *low-profile polypropylene knobs* are designed for use with socket head allen bolts or threaded rod of various lengths. They are available with three different female thread types: brass insert (-BI), steel hex nut (-HN), or threads molded directly into the polypropylene (-MT). The height of all base sizes is 3/8" thick. The PVC base is a flexible, non-skid and non-marring, rubber-like material.



PN (brass)	PN (hex nut)	PN(molded)	Thread	Base Dia.	Load (lbs.)
IL83-4B-BI	IL83-4B-HN	IL83-4B-MT	1/4-20	1-1/2	100
IL83-5B-BI	IL83-5B-HN	IL83-5B-MT	5/16-18	1-1/2	250
IL83-6B-BI	IL83-6B-HN	IL83-6B-MT	3/8-16	1-1/2	250
IL85-4B-BI	IL85-4B-HN	IL85-4B-MT	1/4-20	2	100
IL85-5B-BI	IL85-5B-HN	IL85-5B-MT	5/16-18	2	250
IL85-6B-BI	IL85-6B-HN	IL85-6B-MT	3/8-16	2	250
IL87-4B-BI	IL87-4B-HN	IL87-4B-MT	1/4-20	2-1/2	100
IL87-5B-BI	IL87-5B-HN	IL87-5B-MT	5/16-18	2-1/2	250
IL87-6B-BI	IL87-6B-HN	IL87-6B-MT	3/8-16	2-1/2	250
IL89-4B-BI	IL89-4B-HN	IL89-4B-MT	1/4-20	3	100
IL89-5B-BI	IL89-5B-HN	IL89-5B-MT	5/16-18	3	250
IL89-6B-BI	IL89-6B-HN	IL89-6B-MT	3/8-16	3	250
PN (PVC)	Thread	Base Dia.	Load (lbs.)		
IL83-4B-HN-PVC	1/4-20	1-1/2	75		
IL83-5B-HN-PVC	5/16-18	1-1/2	75		
IL83-6B-HN-PVC	3/8-16	1-1/2	75		



INTERNATIONAL EQUIPMENT COMPONENTS, INC.

Phone: **562.597.4533** eMail: **sales@iec-corp.com**

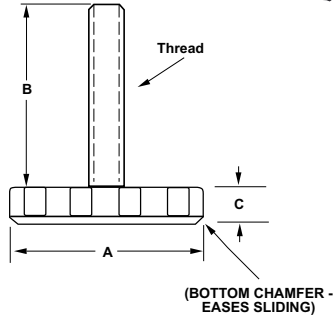
Web: **www.levelingmounts.com & www.iec-corp.com**

KNOBS

LOW PROFILE KNOBS

Low Profile Knobs

These *low profile shoulderless knobs* have a black polypropylene base and grip ridges on the outside diameter. The threaded studs are available in zinc-plated steel or stainless steel. Other colors also available: clear, white, brown, blue, red, gray, etc.



Top Hex (-HX) and Slot (-SL)



Many colors available as custom option.

Steel	SS	Load	Thread	A	B	C
METRIC - Steel and Stainless Steel Knob Style Glides						
IL82-M6Bx6	IL82-M6BSx6	100	M6	38	6	10
IL82-M6Bx12	IL82-M6BSx12	100	M6	38	12	10
IL82-M6Bx25	IL82-M6BSx25	100	M6	38	25	10
IL82-M8Bx6	IL82-M8BSx6	500	M8	38	6	10
IL82-M8Bx12	IL82-M8BSx12	500	M8	38	12	10
IL82-M8Bx25	IL82-M8BSx25	500	M8	38	25	10
IL82-M8Bx45	IL82-M8BSx45	500	M8	38	45	10
IL82-M10Bx15	IL82-M10BSx15	1000	M10	38	15	10
IL82-M10Bx20	IL82-M10BSx20	1000	M10	38	20	10
IL82-M10Bx25	IL82-M10BSx25	1000	M10	38	25	10
IL82-M10Bx40	IL82-M10BSx40	1000	M10	38	40	10
IL84-M6Bx6	IL84-M6BSx6	100	M6	51	6	10
IL84-M6Bx12	IL84-M6BSx12	100	M6	51	12	10
IL84-M6Bx25	IL84-M6BSx25	100	M6	51	25	10
IL84-M8Bx6	IL84-M8BSx6	500	M8	51	6	10
IL84-M8Bx12	IL84-M8BSx12	500	M8	51	12	10
IL84-M8Bx25	IL84-M8BSx25	500	M8	51	25	10
IL84-M8Bx45	IL84-M8BSx45	500	M8	51	45	10
IL84-M10Bx15	IL84-M10BSx15	1000	M10	51	15	10
IL84-M10Bx20	IL84-M10BSx20	1000	M10	51	20	10
IL84-M10Bx25	IL84-M10BSx25	1000	M10	51	25	10
IL84-M10Bx40	IL84-M10BSx40	1000	M10	51	40	10
IL86-M6Bx6	IL86-M6BSx6	100	M6	64	6	10
IL86-M6Bx12	IL86-M6BSx12	100	M6	64	12	10
IL86-M6Bx25	IL86-M6BSx25	100	M6	64	25	10
IL86-M8Bx6	IL86-M8BSx6	500	M8	64	6	10
IL86-M8Bx12	IL86-M8BSx12	500	M8	64	12	10
IL86-M8Bx25	IL86-M8BSx25	500	M8	64	25	10
IL86-M8Bx45	IL86-M8BSx45	500	M8	64	45	10
IL86-M10Bx15	IL86-M10BSx15	1000	M10	64	15	10
IL86-M10Bx20	IL86-M10BSx20	1000	M10	64	20	10
IL86-M10Bx25	IL86-M10BSx25	1000	M10	64	25	10
IL86-M10Bx40	IL86-M10BSx40	1000	M10	64	40	10
IL88-M6Bx6	IL88-M6BSx6	100	M6	76	6	10
IL88-M6Bx12	IL88-M6BSx12	100	M6	76	12	10
IL88-M6Bx25	IL88-M6BSx25	100	M6	76	25	10
IL88-M8Bx6	IL88-M8BSx6	500	M8	76	6	10
IL88-M8Bx12	IL88-M8BSx12	500	M8	76	12	10
IL88-M8Bx25	IL88-M8BSx25	500	M8	76	25	10
IL88-M8Bx45	IL88-M8BSx45	500	M8	76	45	10
IL88-M10Bx15	IL88-M10BSx15	1000	M10	76	15	10
IL88-M10Bx20	IL88-M10BSx20	1000	M10	76	20	10
IL88-M10Bx25	IL88-M10BSx25	1000	M10	76	25	10
IL88-M10Bx40	IL88-M10BSx40	1000	M10	76	40	10

36A - Metric Knob Style (PVC Base) The 1-1/2" and 2" diameter base is available in a flexible, non-skid, non-marring black PVC, rubber-like material.

Steel	SS	Load	Thread	A	B	C
36A - METRIC - Steel and Stainless Steel Knob Style Glides (PVC base)						
IL82-M6Bx6-PVC	IL82-M6BSx6-PVC	100	M6	38	6	10
IL82-M6Bx12-PVC	IL82-M6BSx12-PVC	100	M6	38	12	10
IL82-M6Bx25-PVC	IL82-M6BSx25-PVC	100	M6	38	25	10
IL82-M8Bx6-PVC	IL82-M8BSx6-PVC	100	M8	38	6	10
IL82-M8Bx12-PVC	IL82-M8BSx12-PVC	100	M8	38	12	10
IL82-M8Bx25-PVC	IL82-M8BSx25-PVC	100	M8	38	25	10
IL82-M8Bx45-PVC	IL82-M8BSx45-PVC	100	M8	38	45	10
IL82-M10Bx15-PVC	IL82-M10BSx15-PVC	100	M10	38	15	10
IL82-M10Bx20-PVC	IL82-M10BSx20-PVC	100	M10	38	20	10
IL82-M10Bx25-PVC	IL82-M10BSx25-PVC	100	M10	38	25	10
IL82-M10Bx40-PVC	IL82-M10BSx40-PVC	100	M10	38	40	10
IL84-M6Bx6-PVC	IL84-M6BSx6-PVC	100	M6	51	6	10
IL84-M6Bx12-PVC	IL84-M6BSx12-PVC	100	M6	51	12	10
IL84-M6Bx25-PVC	IL84-M6BSx25-PVC	100	M6	51	25	10
IL84-M8Bx6-PVC	IL84-M8BSx6-PVC	100	M8	51	6	10
IL84-M8Bx12-PVC	IL84-M8BSx12-PVC	100	M8	51	12	10
IL84-M8Bx25-PVC	IL84-M8BSx25-PVC	100	M8	51	25	10
IL84-M8Bx45-PVC	IL84-M8BSx45-PVC	100	M8	51	45	10
IL84-M10Bx15-PVC	IL84-M10BSx15-PVC	100	M10	51	15	10
IL84-M10Bx20-PVC	IL84-M10BSx20-PVC	100	M10	51	20	10
IL84-M10Bx25-PVC	IL84-M10BSx25-PVC	100	M10	51	25	10
IL84-M10Bx40-PVC	IL84-M10BSx40-PVC	100	M10	51	40	10